
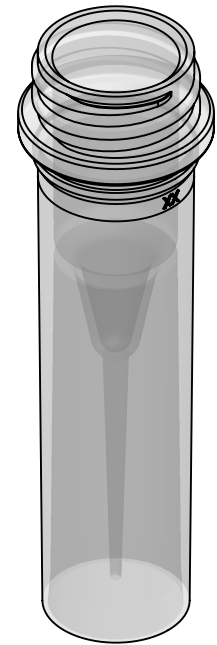
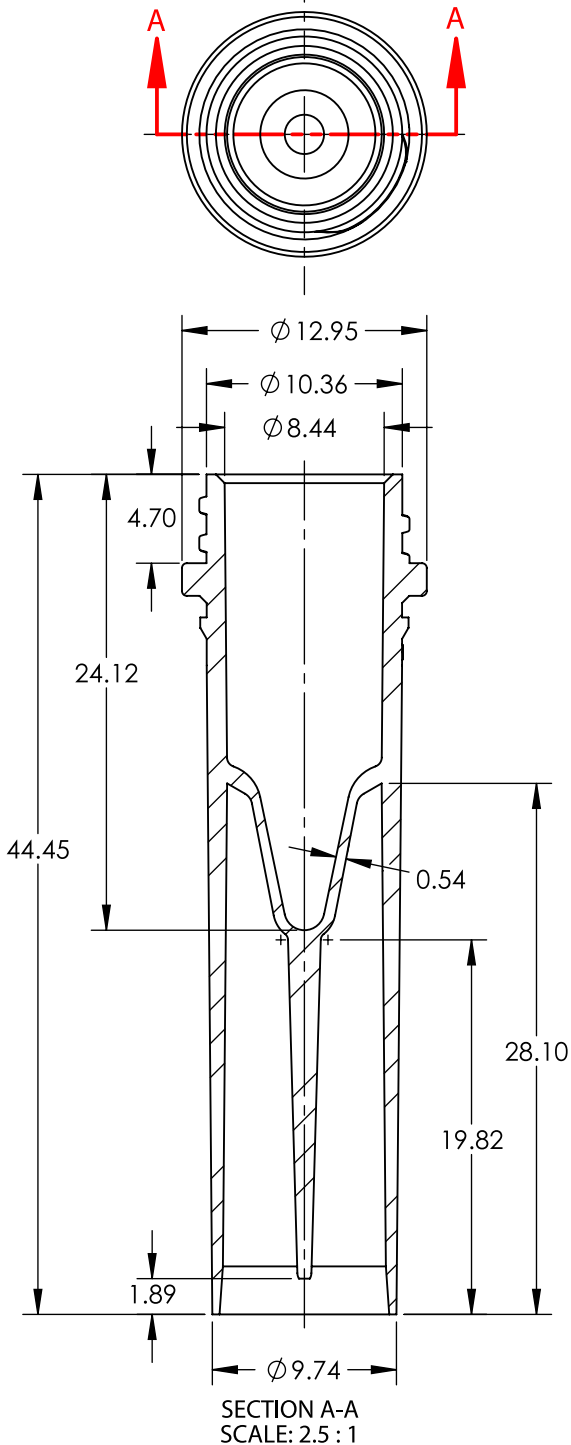



UNLESS OTHERWISE SPECIFIED DIMENSIONS ARE IN MILLIMETERS	CAD GENERATED DRAWING, DO NOT MANUALLY UPDATE		 1310 Thurman Street Lodi CA, 95240 Ph: (209) 333-2120 Fx: (209) 333-8623 info@scientificspecialties.com
	APPROVALS	DATE	
SSi MATERIAL:	CHECKED:	3/21/2018	2001-XX SCREW CAP ASSEMBLY
MANUFACTURER'S MATERIAL:	RESP ENG:		
FINISH:	MFG ENG:		SIZE: A SHRINK RATE: --- SCALE: 1:1 JOB NO.: --- REV.: REL
DO NOT SCALE DRAWING	QUAL ENG:		SHEET: 1 OF 1

PRINTED 3/21/2018

NOTE(S): UNLESS OTHERWISE SPECIFIED:
 1. THIS COVERS PARTS MADE WITH LOT # 15144 WHICH IS A DATE OF 4/6/2015 OR NEWER.



UNLESS OTHERWISE SPECIFIED DIMENSIONS ARE IN MILLIMETERS TOLERANCES ARE: DECIMALS ANGLES	CAD GENERATED DRAWING, DO NOT MANUALLY UPDATE		 1310 Thurman Street Lodi CA, 95240 Ph: (209) 333-2120 Fx: (209) 333-8623 info@scientificspecialties.com
	APPROVALS	DATE	
SSi MATERIAL:	CHECKED:	9/18/2015	2440-00 0.5mL SCREW CAP TUBE
MANUFACTURER'S MATERIAL:	RESP ENG:		
FINISH:	MFG ENG:		SIZE: A SHRINK RATE: --- SCALE: 1:1 JOB NO.: --- REV.: 4
DO NOT SCALE DRAWING	QUAL ENG:		SHEET: 1 OF 1

PRINTED 9/18/2015