

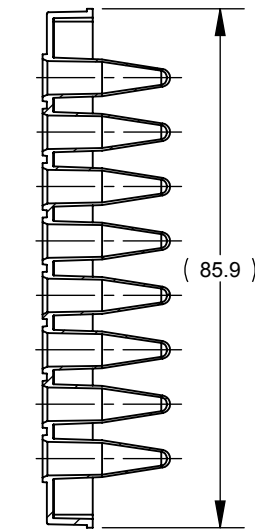
85.9

A

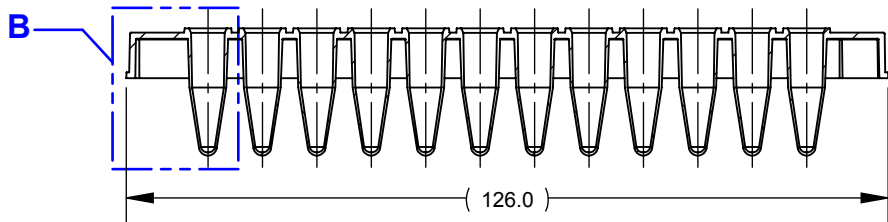
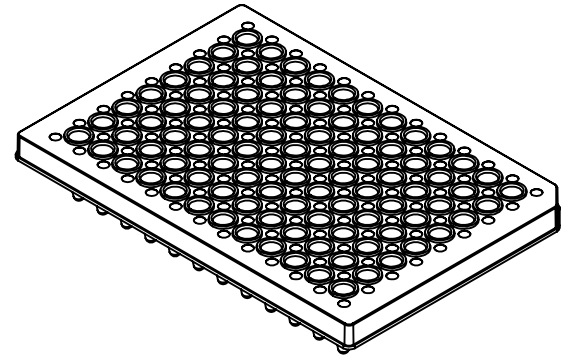
C

A

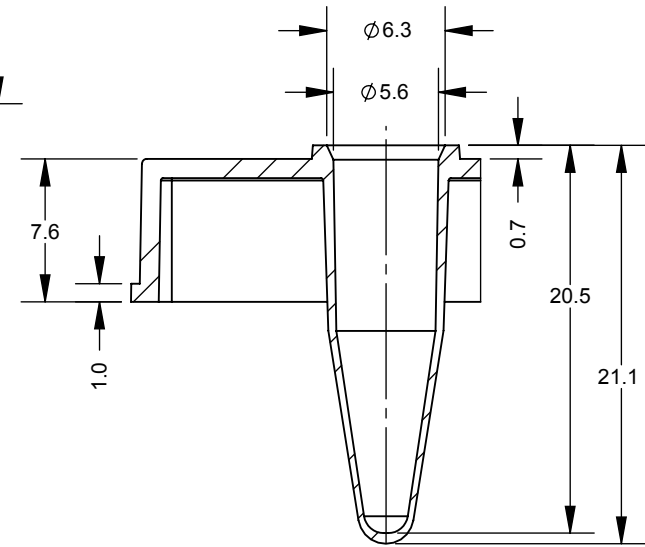
C




SECTION C-C



SECTION A-A



DETAIL B

UNLESS OTHERWISE SPECIFIED DIMENSIONS ARE IN MILLIMETERS	CAD GENERATED DRAWING, DO NOT MANUALLY UPDATE		 <b>1310 Thurman Street Lodi CA, 95240 Ph: (209) 333-2120 Fx: (209) 333-8623 info@scientificspecialties.com</b>
	APPROVALS	DATE	
SSI MATERIAL:	DRAWN: P. DO	3/29/2018	<b>3450-XX</b> <b>"SEMI SKIRT" 96 WELL PCR PLATE</b>
MANUFACTURER'S MATERIAL:	CHECKED:		
FINISH:	DESIGN ENG:		
	MFG ENG:		
DO NOT SCALE DRAWING	QUAL ENG:		
	SIZE: SHRINK RATE: A		REV.: 4
	SCALE: 1:1	JOB NO.:	SHEET: 1 OF 1

PRINTED 3/29/2018