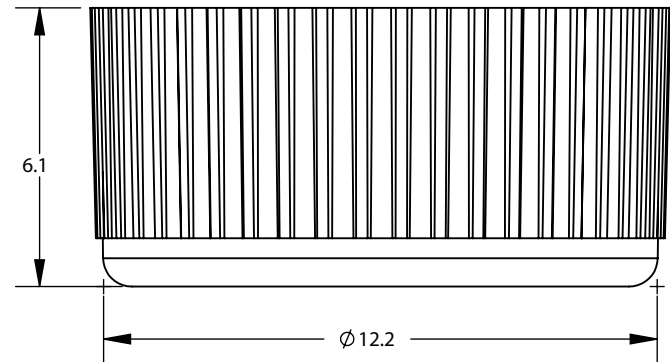
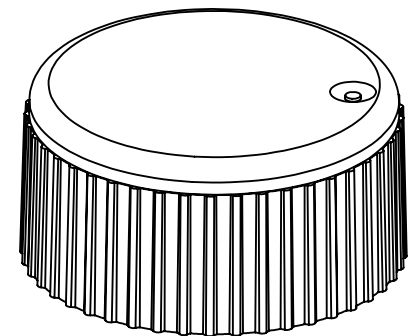
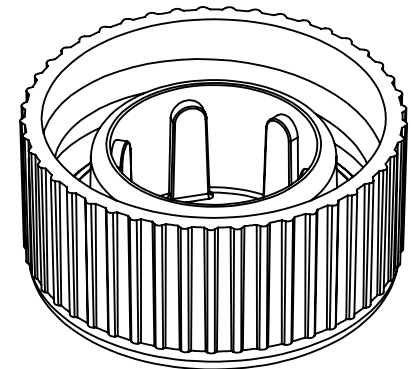



SECTION A-A
SCALE: 5 : 1



CAD GENERATED DRAWING, DO NOT MANUALLY UPDATE		 1310 Thurman Street Lodi CA, 95240 Ph: (209) 333-2120 Fx: (209) 333-8623 info@scientificspecialties.com
APPROVALS	DATE	
DRAWN: P. DO	3/21/2018	2001-XX SCREW CAP ASSEMBLY
SSI MATERIAL:	CHECKED:	
MANUFACTURER'S MATERIAL:	RESP ENG:	
FINISH:	MFG ENG:	
DO NOT SCALE DRAWING	QUAL ENG:	SIZE: SHRINK RATE: A
		SCALE: 1:1 JOB NO.: REV.: REL SHEET: 1 OF 1

3/21/2018
PRINTED