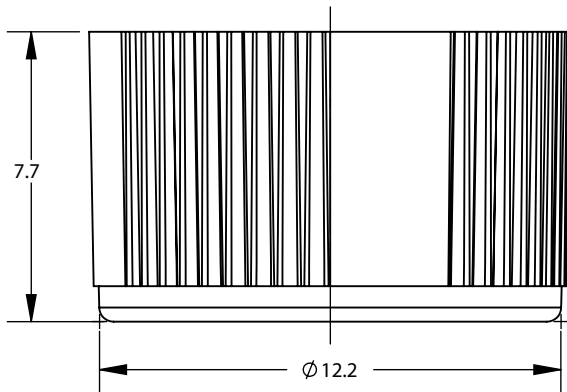
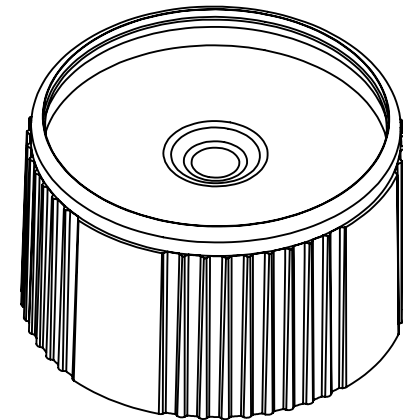
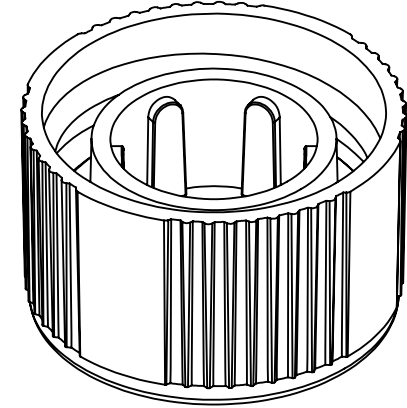



SECTION A-A  
SCALE: 5 : 1



UNLESS OTHERWISE SPECIFIED DIMENSIONS ARE IN MILLIMETERS	CAD GENERATED DRAWING, DO NOT MANUALLY UPDATE		 <b>1310 Thurman Street</b> <b>Lodi CA, 95240</b> <b>Ph: (209) 333-2120</b> <b>Fx: (209) 333-8623</b> <b>info@scientificspecialties.com</b>
	APPROVALS	DATE	
	DRAWN: P. DO	3/21/2018	<b>2003-XX</b> <b>INSERTABLE SCREW CAP</b>
SSI MATERIAL:	CHECKED:		
MANUFACTURER'S MATERIAL:	DESIGN ENG:		
FINISH:	MFG ENG:		
DO NOT SCALE DRAWING	QUAL ENG:		SIZE: SHRINK RATE: <b>A</b>
		SCALE: 1:1	REV.: <b>3</b>
		JOB NO.:	SHEET: 1 OF 1

3/21/2018  
PRINTED