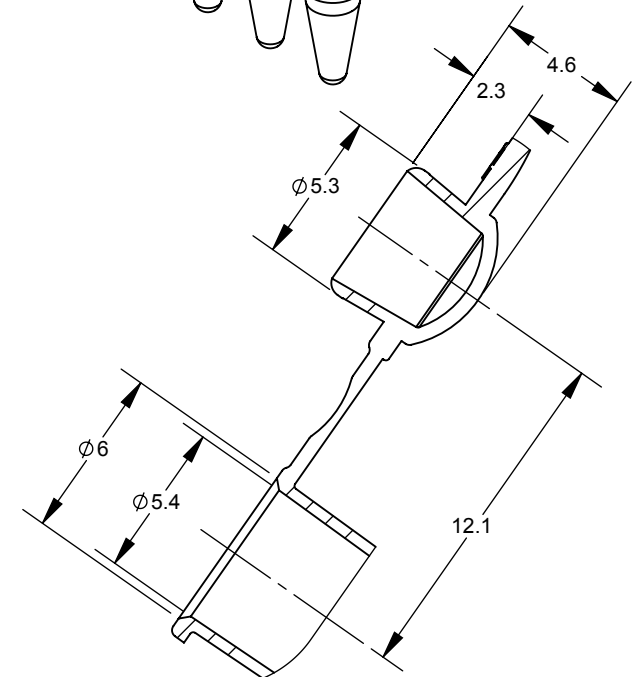


SECTION A-A
SCALE: 1.6 : 1
TYP



DETAIL B
SCALE: 3.8 : 1
TYP

UNLESS OTHERWISE SPECIFIED
DIMENSIONS ARE IN MILLIMETERS

CAD GENERATED DRAWING, DO NOT MANUALLY UPDATE	
APPROVALS	DATE
DRAWN: P. DO	7/26/2016
CHECKED:	
MANUFACTURER'S MATERIAL:	DESIGN ENG:
FINISH:	MFG ENG:
DO NOT SCALE DRAWING	QUAL ENG:



1310 Thurman Street
Lodi CA, 95240
Ph: (209) 333-2120
Fx: (209) 333-8623
info@scientificspecialties.com

3240-XX
8-STRIP PCR TUBE WITH SNAP STRIP DOME CAP

SIZE: A	SHRINK RATE:	REV.: 1
SCALE: 1:1	JOB NO.:	SHEET: 1 OF 1

PRINTED 7/26/2016