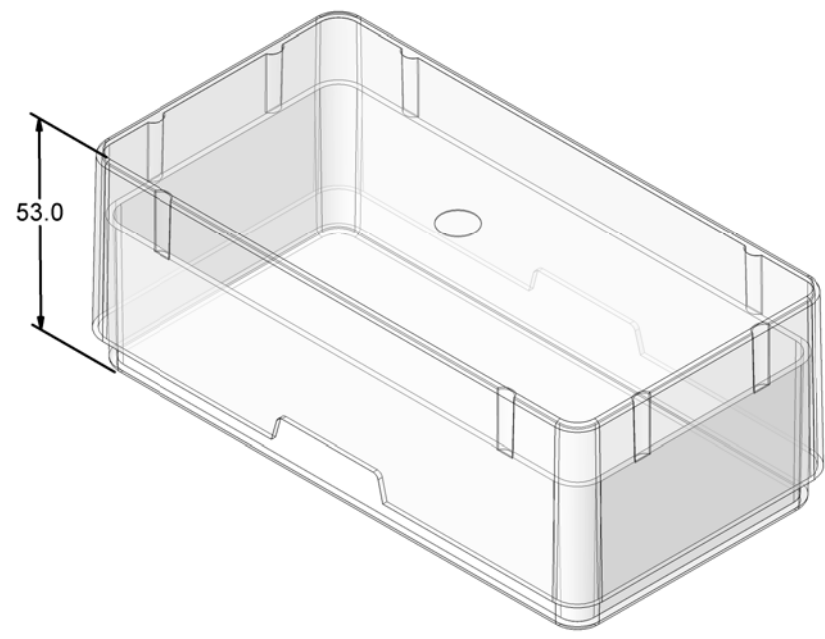
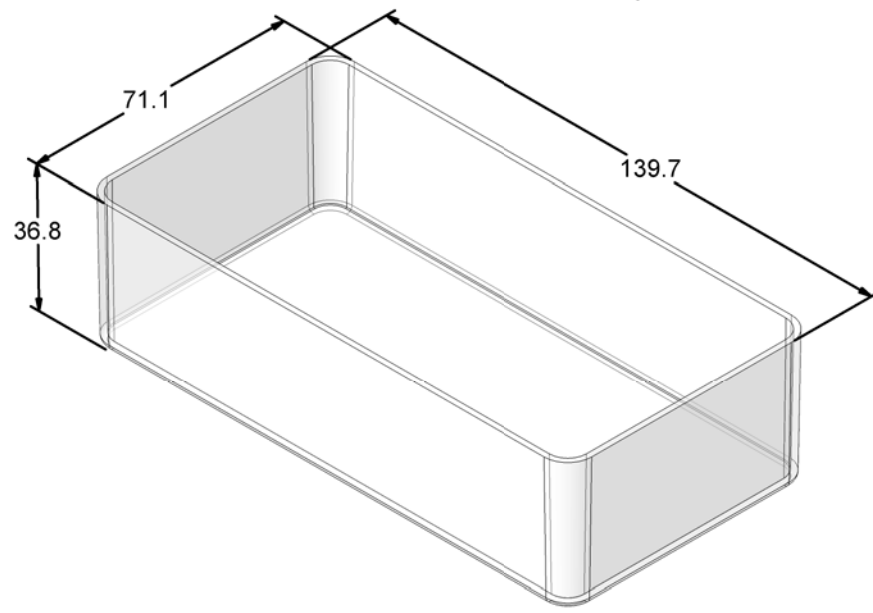
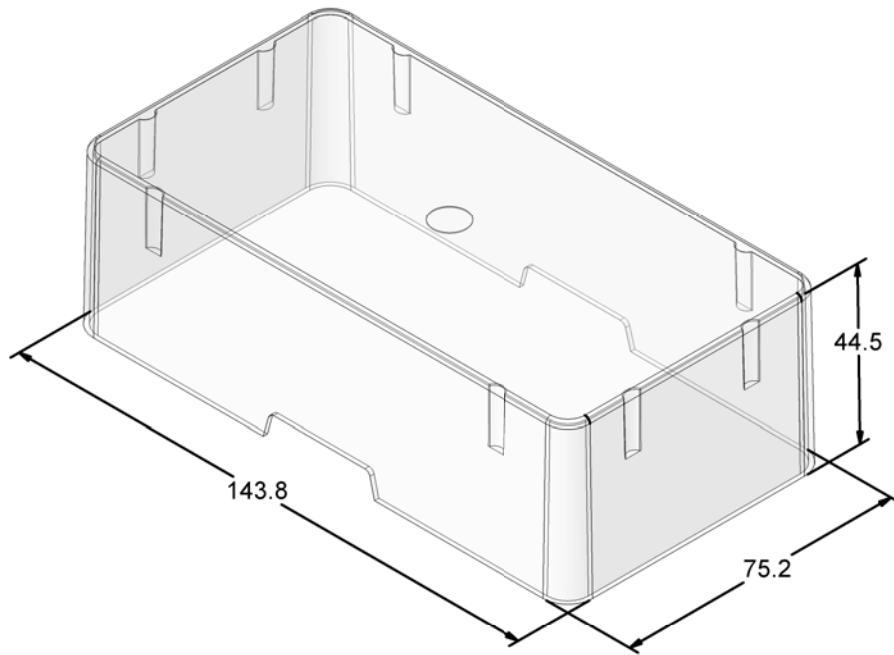


**Copyright Scientific Specialties, Inc.**  
This drawing and/or any technical information relating to it is issued in strict confidence and may not be reproduced or used for manufacture without written permission. Upon receipt of which it is the user's responsibility to seek confirmation of any dimensions and production tolerances.



UNLESS OTHERWISE SPECIFIED DIMENSIONS ARE IN MILLIMETERS	TITLE: <i>BLANK BASE WITH LID</i>		
	ITEM: 55A404-00	REV.: N/A	DATE: 3/7/2018