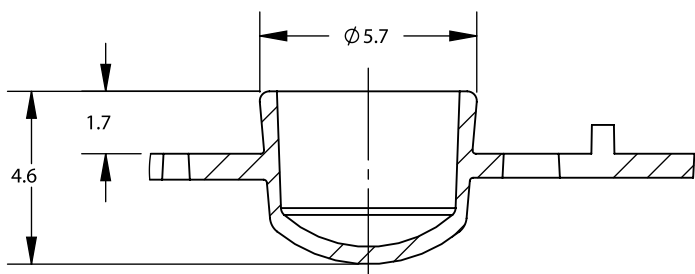


SECTION A-A
SCALE: 1.5 : 1



DETAIL B
SCALE: 5 : 1
TYP

UNLESS OTHERWISE SPECIFIED
DIMENSIONS ARE IN MILLIMETERS

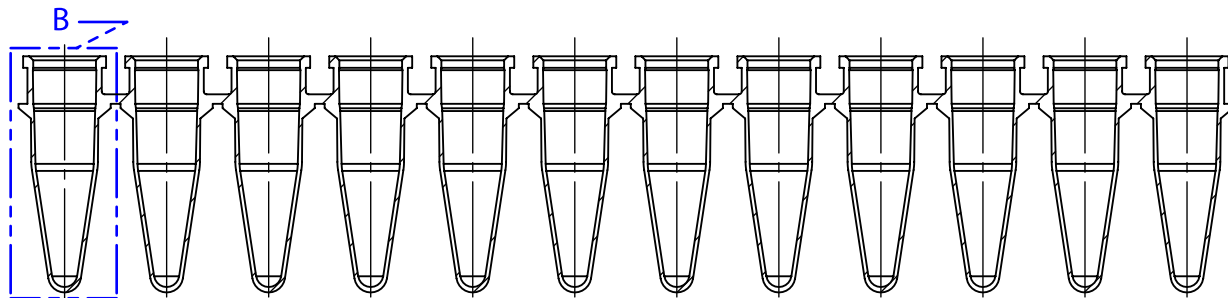
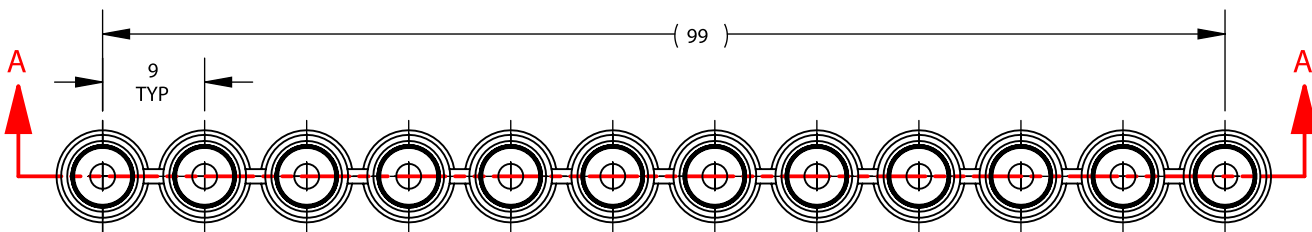
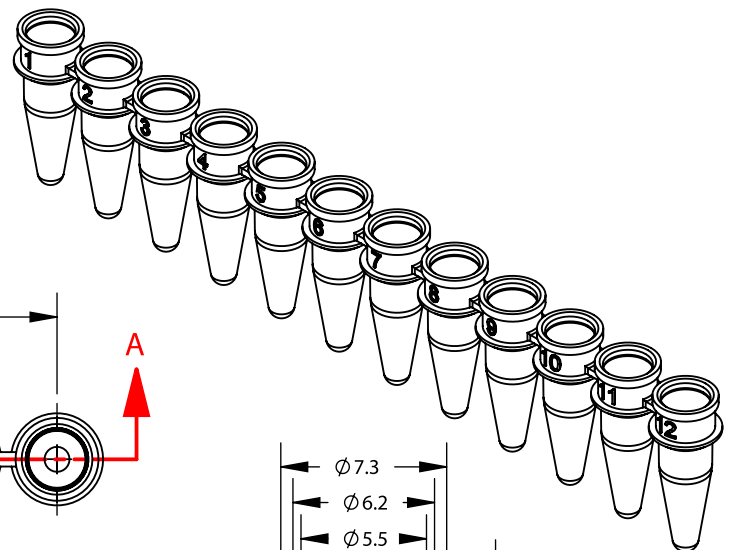
CAD GENERATED DRAWING. DO NOT MANUALLY UPDATE	
APPROVALS	DATE
DRAWN: P. DO	7/25/2016
SSi MATERIAL:	CHECKED:
MANUFACTURER'S MATERIAL:	DESIGN ENG:
FINISH:	MFG ENG:
DO NOT SCALE DRAWING	QUAL ENG:

1310 Thurman Street
Lodi CA, 95240
Ph: (209) 333-2120
Fx: (209) 333-8623
info@scientificspecialties.com

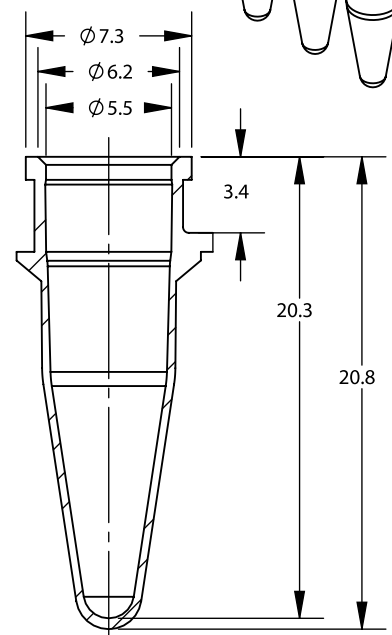
3103-XX
12-STRIP PCR TUBE DOME CAP

SIZE: A	SHRINK RATE:	REV.: 3
SCALE: 1:1	JOB NO.:	SHEET: 1 OF 1

PRINTED 7/25/2016



SECTION A-A
SCALE: 1.5 : 1



DETAIL B
SCALE: 3 : 1
TYP

UNLESS OTHERWISE SPECIFIED
DIMENSIONS ARE IN MILLIMETERS

CAD GENERATED DRAWING. DO NOT MANUALLY UPDATE	
APPROVALS	DATE
DRAWN: P. DO	7/25/2016
SSi MATERIAL:	CHECKED:
MANUFACTURER'S MATERIAL:	DESIGN ENG:
FINISH:	MFG ENG:
DO NOT SCALE DRAWING	QUAL ENG:

1310 Thurman Street
Lodi CA, 95240
Ph: (209) 333-2120
Fx: (209) 333-8623
info@scientificspecialties.com

3113-XX
12-STRIP PCR TUBE

SIZE: A	SHRINK RATE:	REV.: 4
SCALE: 1:1	JOB NO.:	SHEET: 1 OF 1

PRINTED 7/25/2016