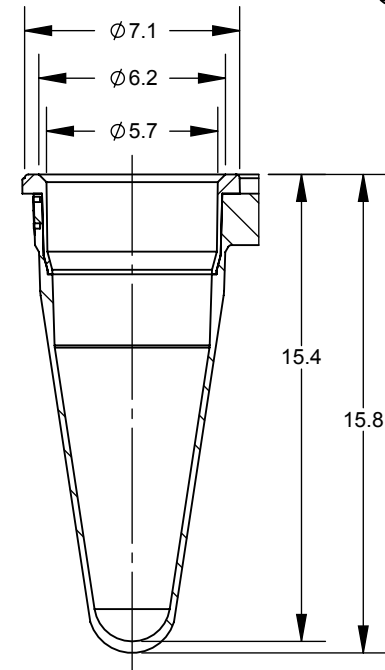



**SECTION A-A
SCALE: 2 : 1**



**DETAIL B
SCALE: 4 : 1
TYP**

UNLESS OTHERWISE SPECIFIED DIMENSIONS ARE IN MILLIMETERS	CAD GENERATED DRAWING, DO NOT MANUALLY UPDATE		 1310 Thurman Street Lodi CA, 95240 Ph: (209) 333-2120 Fx: (209) 333-8623 info@scientificspecialties.com	
	APPROVALS	DATE		
SSI MATERIAL:	DRAWN: P. DO	7/26/2016	3140-XX 8-STRIP LOW PROFILE TUBE	
MANUFACTURER'S MATERIAL:	CHECKED:			
FINISH:	DESIGN ENG:			
DO NOT SCALE DRAWING	MFG ENG:			
	QUAL ENG:		SIZE: SHRINK RATE: A SCALE: 1:1	REV.: 3
		JOB NO.:	SHEET: 1 OF 1	PRINTED 7/26/2016