
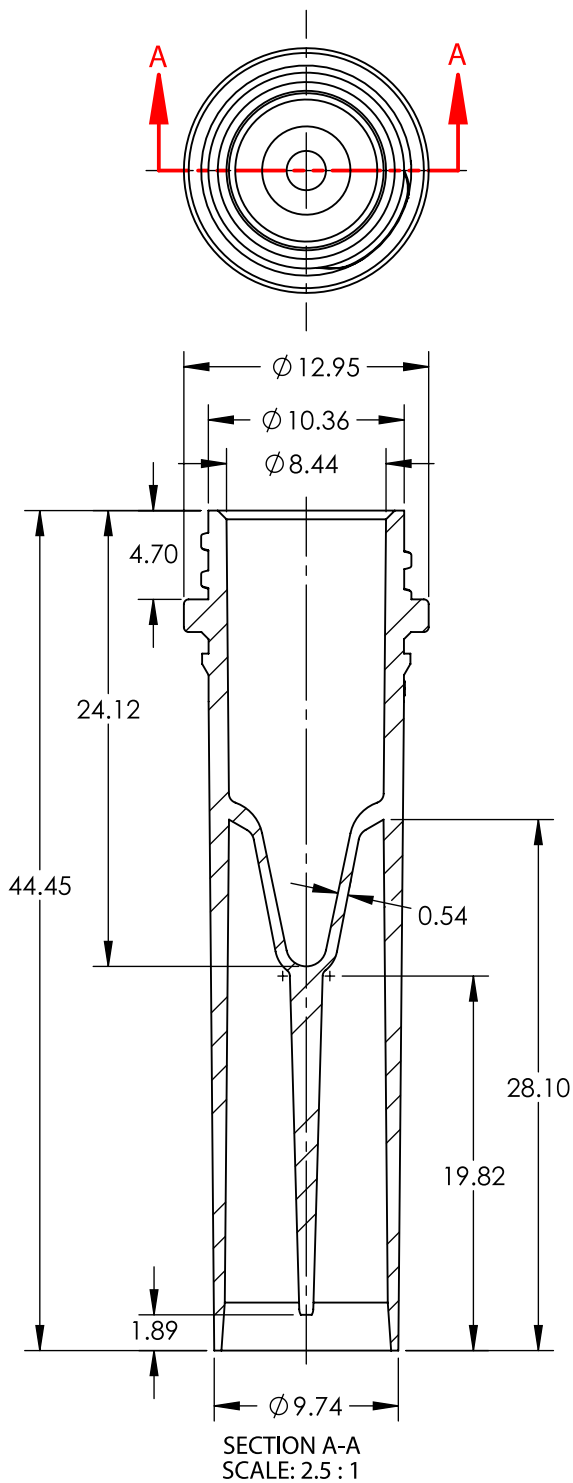


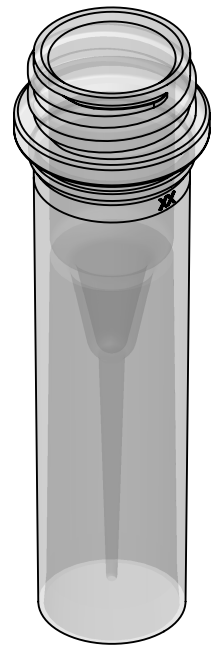
SECTION A-A
SCALE: 4 : 1


UNLESS OTHERWISE SPECIFIED DIMENSIONS ARE IN MILLIMETERS	CAD GENERATED DRAWING. DO NOT MANUALLY UPDATE		 1310 Thurman Street Lodi CA, 95240 Ph: (209) 333-2120 Fx: (209) 333-8623 info@scientificspecialties.com
	APPROVALS	DATE	
SSI MATERIAL:	DRAWN: P. DO	3/21/2018	2002-XX SCREW TUBE TETHERED CAP
MANUFACTURER'S MATERIAL:	CHECKED:		
FINISH:	DESIGN ENG:		
DO NOT SCALE DRAWING	MFG ENG:		
	QUAL ENG:		SIZE: SHRINK RATE: REV.: A 5 SCALE: 1:1 JOB NO.: SHEET: 1 OF 1

NOTE(S): UNLESS OTHERWISE SPECIFIED:
 1. THIS COVERS PARTS MADE WITH LOT # 15144 WHICH IS A DATE OF 4/6/2015 OR NEWER.



SECTION A-A
SCALE: 2.5 : 1



UNLESS OTHERWISE SPECIFIED DIMENSIONS ARE IN MILLIMETERS TOLERANCES ARE: DECIMALS ° ANGLES	CAD GENERATED DRAWING. DO NOT MANUALLY UPDATE		 1310 Thurman Street Lodi CA, 95240 Ph: (209) 333-2120 Fx: (209) 333-8623 info@scientificspecialties.com
	APPROVALS	DATE	
SSI MATERIAL:	DRAWN: P. DO	9/18/2015	2440-00 0.5mL SCREW CAP TUBE
MANUFACTURER'S MATERIAL:	CHECKED:		
FINISH:	RESP ENG:		
DO NOT SCALE DRAWING	MFG ENG:		
	QUAL ENG:		SIZE: SHRINK RATE: REV.: A 4 SCALE: 1:1 JOB NO.: SHEET: 1 OF 1

PRINTED 3/21/2018

PRINTED 9/18/2015