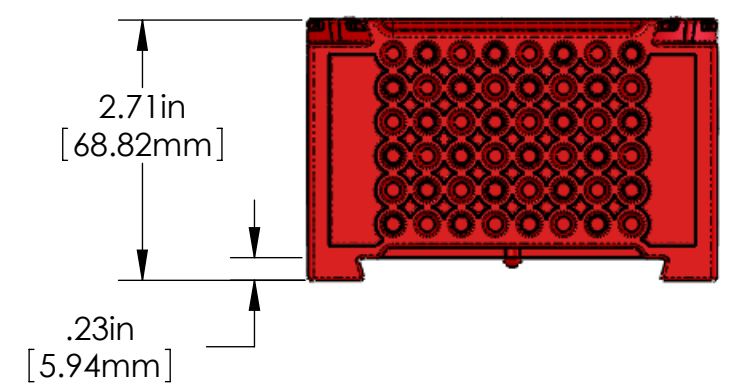
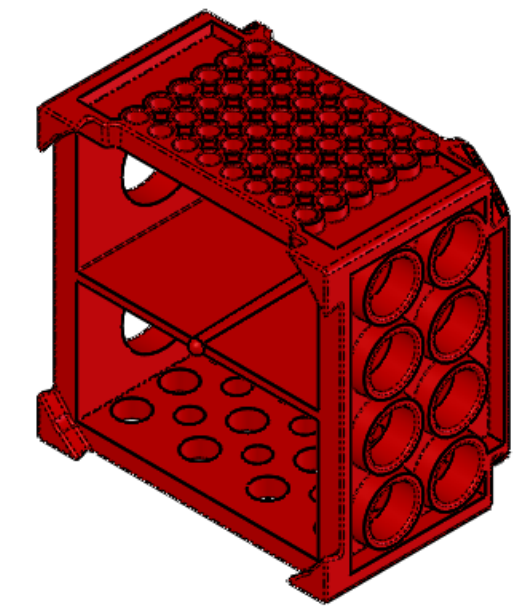
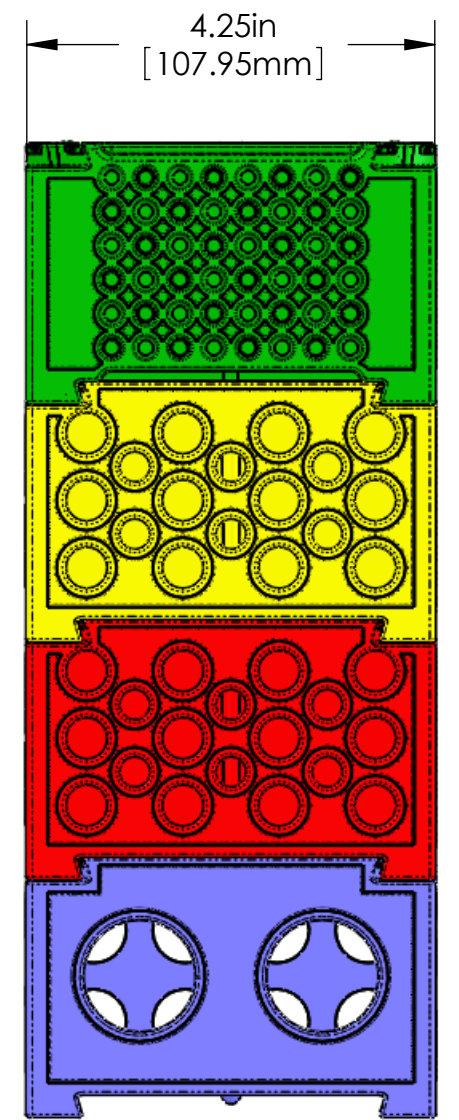
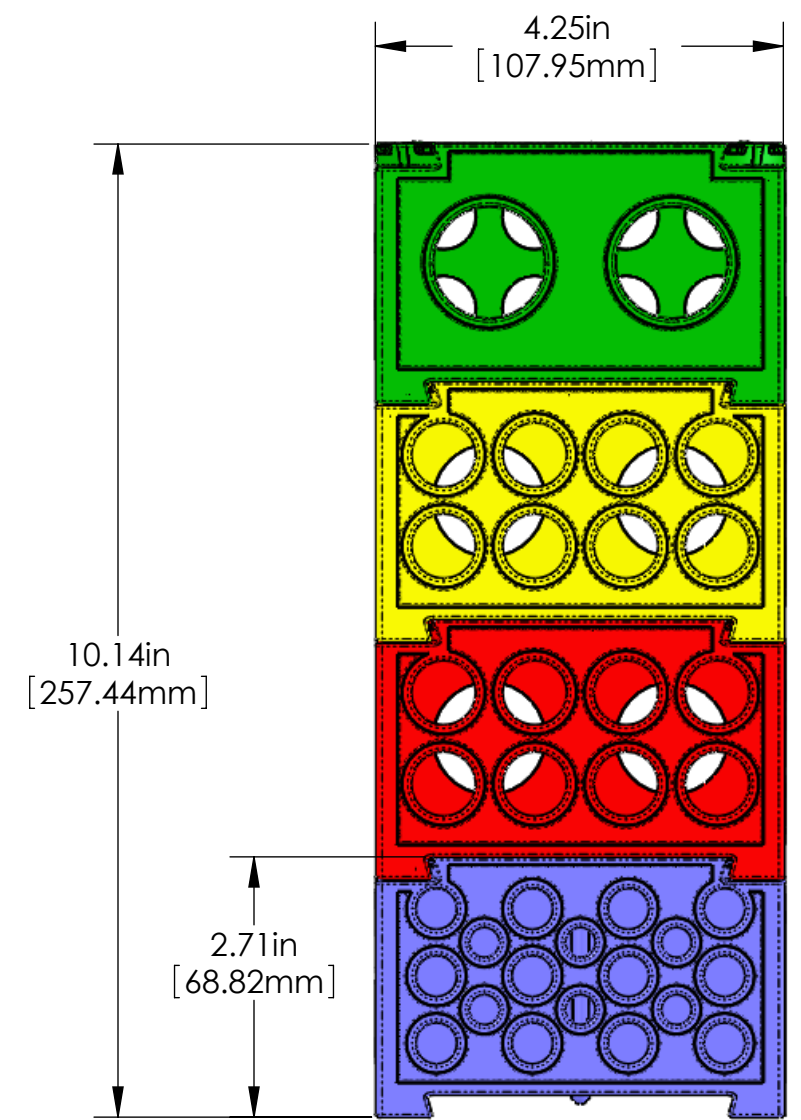



THE INFORMATION CONTAINED IN THIS DRAWING IS THE SOLE PROPERTY OF SCIENTIFIC SPECIALTIES INC. ANY REPRODUCTION IN PART OR WHOLE WITHOUT THE WRITTEN PERMISSION OF SCIENTIFIC SPECIALTIES INC. IS PROHIBITED.

REV.	DESCRIPTION	DATE	APPROVED
------	-------------	------	----------

D
C
B
A

D
C
B
A



UNLESS OTHERWISE SPECIFIED DIMENSIONS ARE IN INCHES TOLERANCES ARE: FRACTIONS DECIMALS ANGLES $\pm 1/64$.XX \pm .01 \pm 0.1 .XXX \pm .001 .XXXX \pm .0005	CAD GENERATED DRAWING, DO NOT MANUALLY UPDATE		 1310 Thurman Street Lodi CA, 95240 Ph: (209) 333-2120 Fx: (209) 333-8623 info@scientificspecialties.com
	APPROVALS DRAWN CHECKED RESP ENG MFG ENG QUAL ENG	DATE 3-15-08	
MATERIAL FINISH DO NOT SCALE DRAWING	SIZE B	SHRINK RATE SCALE	REV. - SHEET 1 OF 1

10/15/2014