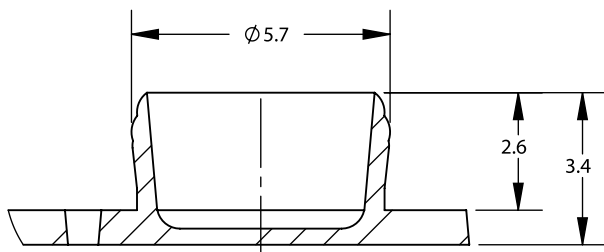


SECTION A-A
SCALE: 1.6 : 1



DETAIL B
SCALE: 6 : 1
TYP

UNLESS OTHERWISE SPECIFIED
DIMENSIONS ARE IN MILLIMETERS

CAD GENERATED DRAWING.
DO NOT MANUALLY UPDATE

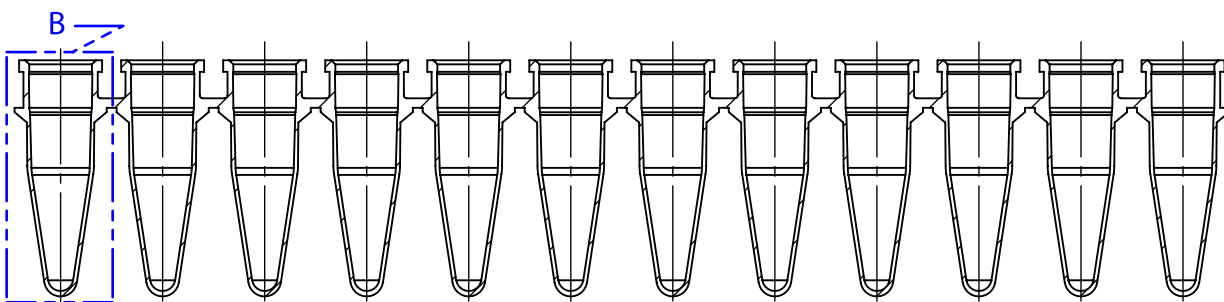
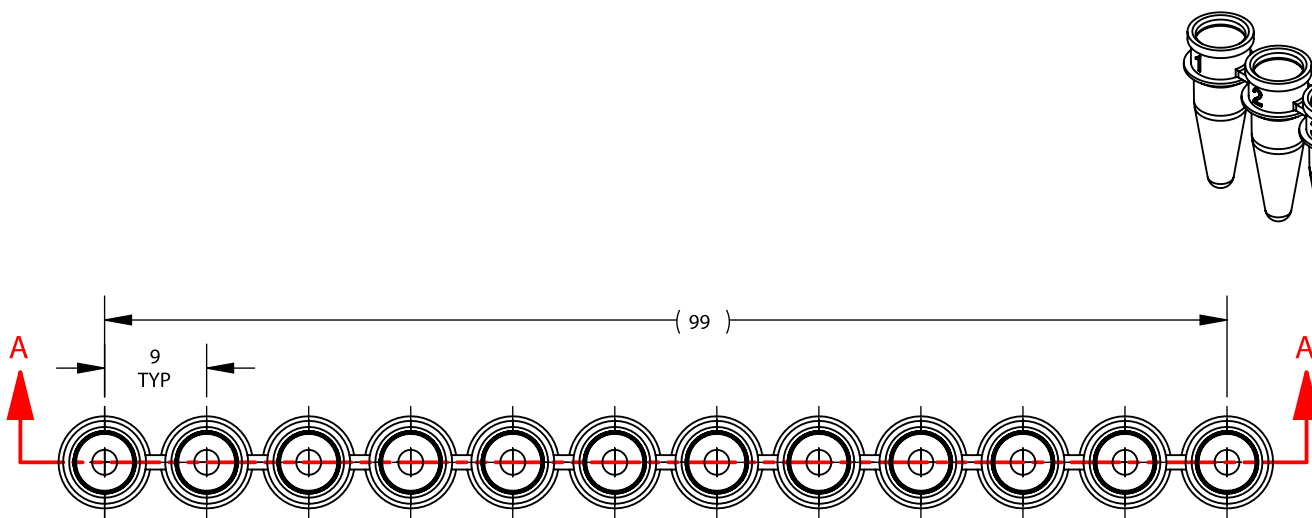


1310 Thurman Street
Lodi CA, 95240
Ph: (209) 333-2120
Fx: (209) 333-8623
info@scientificspecialties.com

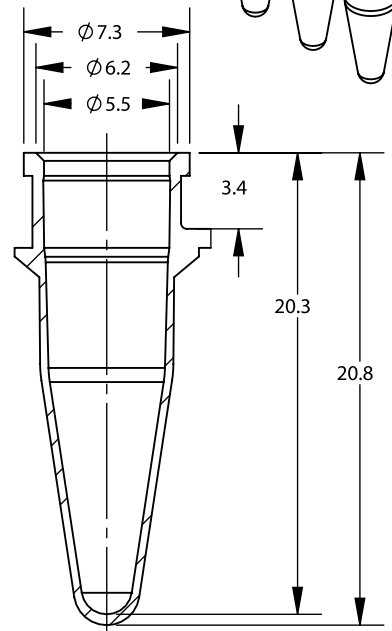
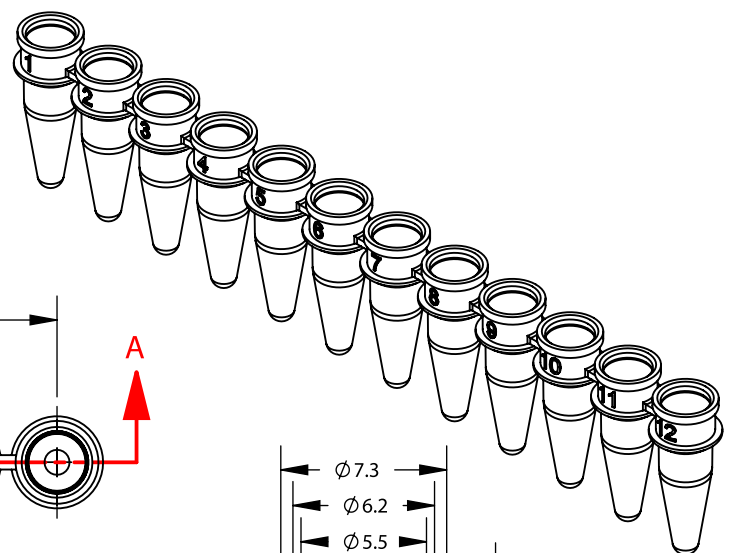
APPROVALS		DATE
DRAWN: P. DO	CHECKED:	7/25/2016
MANUFACTURER'S MATERIAL:	DESIGN ENG:	
FINISH:	MFG ENG:	
DO NOT SCALE DRAWING	QUAL ENG:	

3106-XX	
12 STRIP PCR TUBE CAPS-FLAT	
SIZE: SHRINK RATE: A	REV.: 4
SCALE: 1:1	JOB NO.: SHEET: 1 OF 1

PRINTED 7/25/2016



SECTION A-A
SCALE: 1.5 : 1



DETAIL B
SCALE: 3 : 1
TYP

UNLESS OTHERWISE SPECIFIED
DIMENSIONS ARE IN MILLIMETERS

CAD GENERATED DRAWING.
DO NOT MANUALLY UPDATE



1310 Thurman Street
Lodi CA, 95240
Ph: (209) 333-2120
Fx: (209) 333-8623
info@scientificspecialties.com

APPROVALS		DATE
DRAWN: P. DO	CHECKED:	7/25/2016
MANUFACTURER'S MATERIAL:	DESIGN ENG:	
FINISH:	MFG ENG:	
DO NOT SCALE DRAWING	QUAL ENG:	

3113-XX	
12-STRIP PCR TUBE	
SIZE: SHRINK RATE: A	REV.: 4
SCALE: 1:1	JOB NO.: SHEET: 1 OF 1

PRINTED 7/25/2016