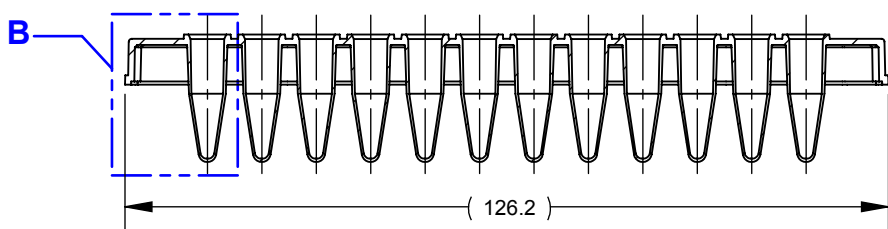
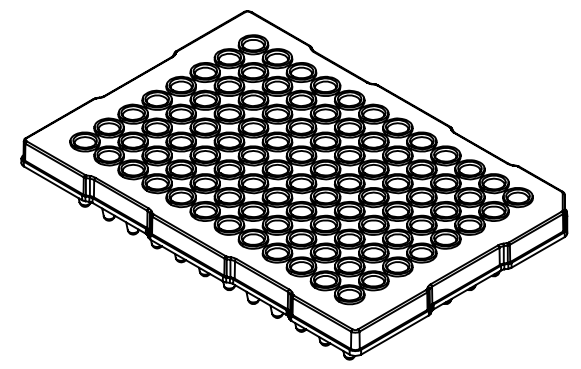
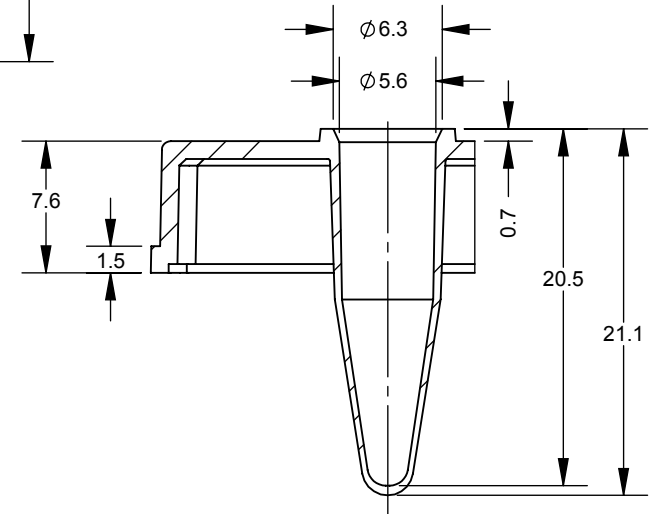



SECTION C-C



SECTION A-A



DETAIL B

UNLESS OTHERWISE SPECIFIED DIMENSIONS ARE IN MILLIMETERS	CAD GENERATED DRAWING, DO NOT MANUALLY UPDATE		 1310 Thurman Street Lodi CA, 95240 Ph: (209) 333-2120 F: (209) 333-8623 info@scientificspecialties.com
	APPROVALS	DATE	
SSI MATERIAL:	DRAWN: P. DO	3/29/2018	3420-XX STANDARD 96 WELL "SEMI SKIRT" PCR PLATE
MANUFACTURER'S MATERIAL:	CHECKED:		
FINISH:	DESIGN ENG:		
DO NOT SCALE DRAWING	MFG ENG:		
	QUAL ENG:		SIZE: SHRINK RATE: A
			SCALE: 1:1 JOB NO.: SHEET: 1 OF 1
			REV.: 5

PRINTED 3/29/2018