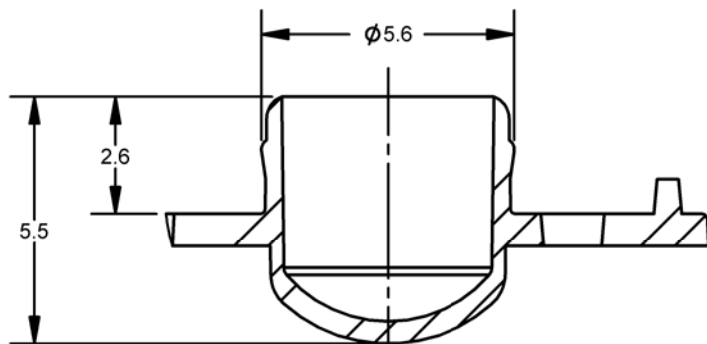
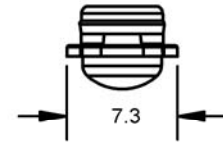



SECTION A-A
SCALE 2 : 1



DETAIL D
SCALE 6 : 1
TYP

UNLESS OTHERWISE SPECIFIED DIMENSIONS ARE IN MILLIMETERS	CAD GENERATED DRAWING, DO NOT MANUALLY UPDATE		 1310 Thurman Street Lodi CA, 95240 Ph: (209) 333-2120 Fx: (209) 333-8623 info@scientificspecialties.com
	APPROVALS	DATE	
SSI MATERIAL:	DRAWN: P. DO	7/25/2016	3102-XX 8-STRIP PCR TUBE W/ DOME CAP (EASY SEAL)
MANUFACTURER'S MATERIAL:	CHECKED:		
FINISH:	DESIGN ENG:		SIZE: SHRINK RATE:
DO NOT SCALE DRAWING	MFG ENG:		A
	QUAL ENG:		SCALE: 1:1
			REV.: 3
			JOB NO.:
			SHEET: 1 OF 1

PRINTED 7/25/2016