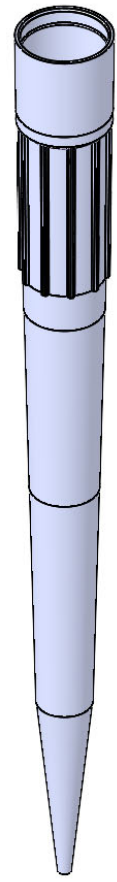
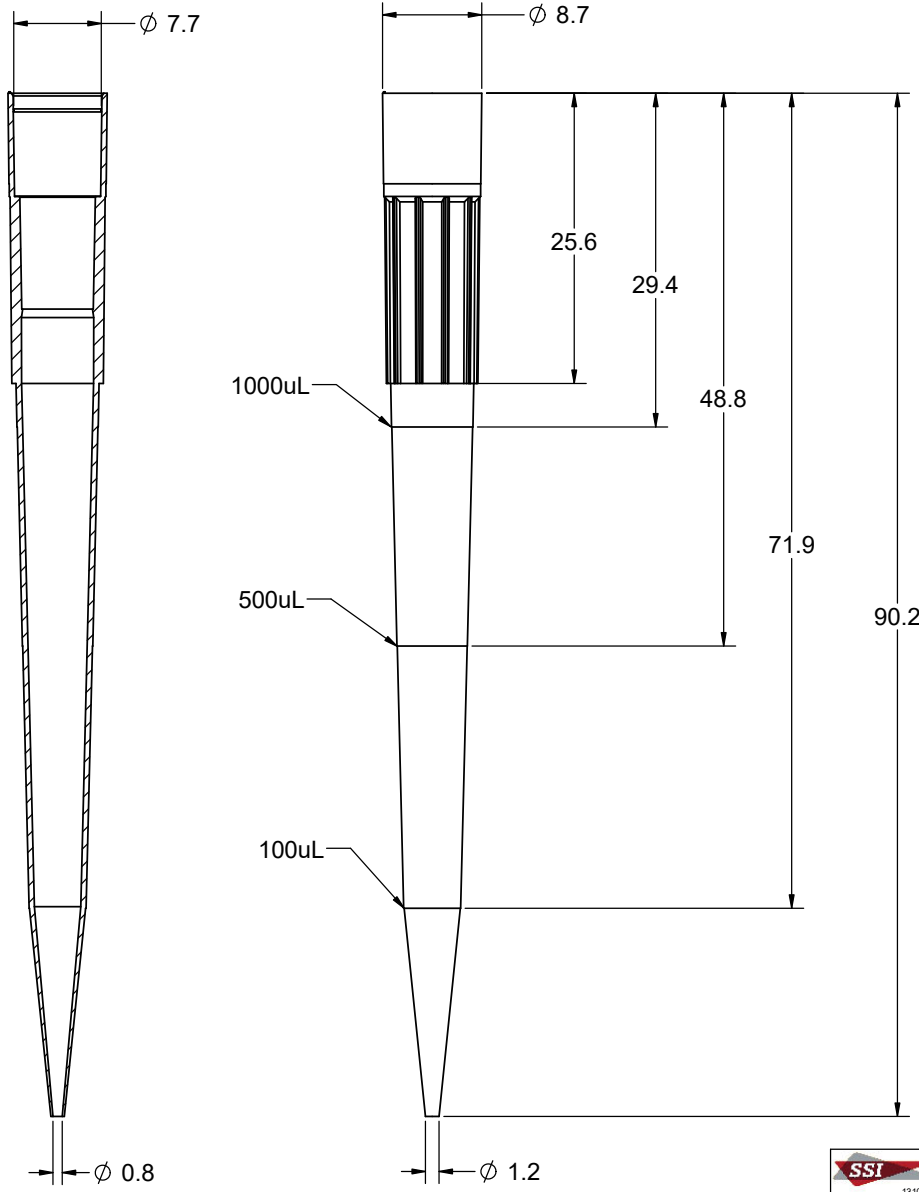
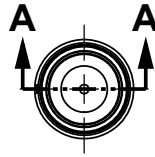


**Copyright Scientific Specialties, Inc.**  
 This drawing and/or any technical information relating to it is issued in strict confidence and my not be reproduced or used for manufacture without written permission. Upon receipt of which it is the users responsibility to seek confirmation of any dimensions and production tolerances.



SECTION A-A

**SSI**  
 1310 Thurman Street  
 Lovi, CA 95248  
 Ph: (209) 333-2120  
 Fx: (209) 333-9623  
 info@scientificspecialties.com

UNLESS OTHERWISE SPECIFIED  
 DIMENSIONS ARE IN MILLIMETERS

TITLE:		1 mL LTS Tip	
ITEM:	43L0XN00	REV.:	REL
DATE:		8/18/2023	