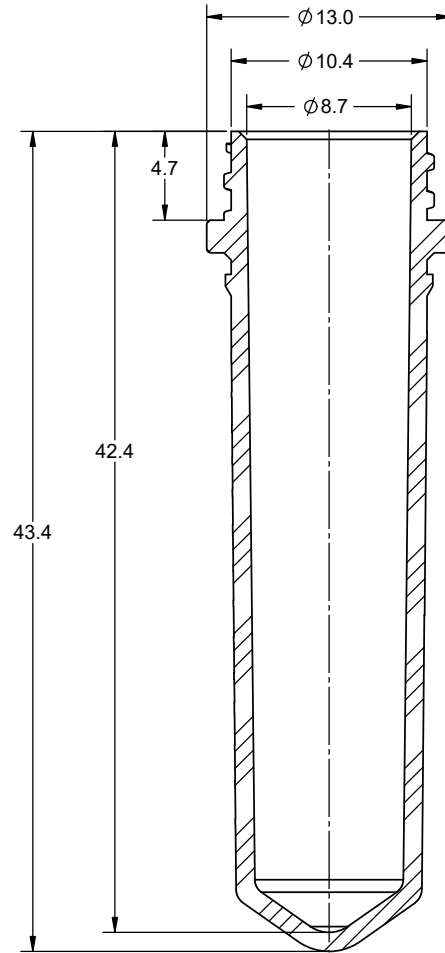
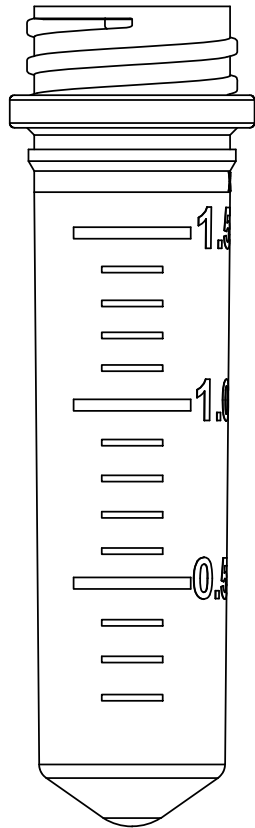
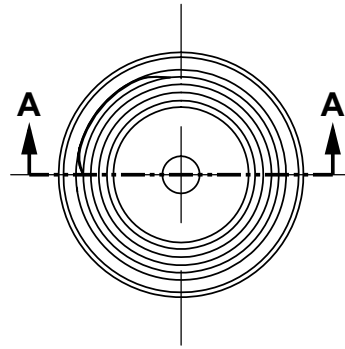
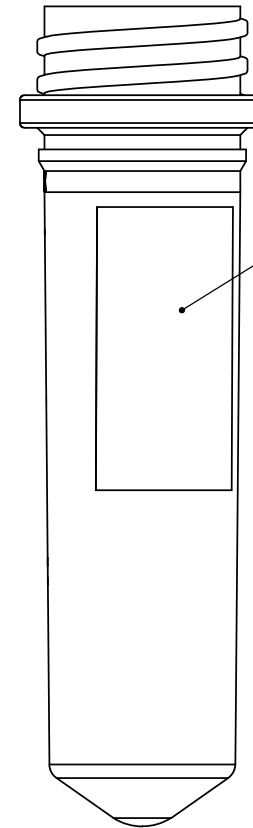


Copyright Scientific Specialties, Inc.

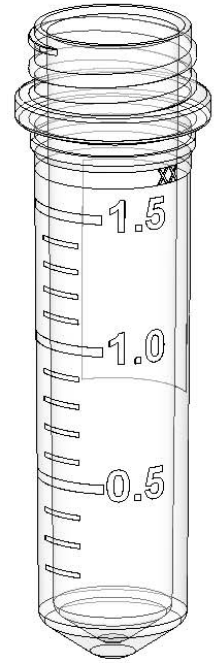
This drawing and/or any technical information relating to it is issued in strict confidence and my not be reproduced or used for manufacture without written permission. Upon receipt of which it is the users responsibility to seek confirmation of any dimensions and production tolerances.



SECTION A-A



WRITING PAD



SSI
1310 Thurman Street
Lodi, CA 95240
Ph: (209) 333-2120
F: (209) 333-9623
info@scientificspecialties.com

TITLE:
2.0mL SCREW CAP TUBE - CONICAL GRADUATED

UNLESS OTHERWISE SPECIFIED
DIMENSIONS ARE IN MILLIMETERS

ITEM:
2330-00

REV.:
1

DATE:
6/23/2020