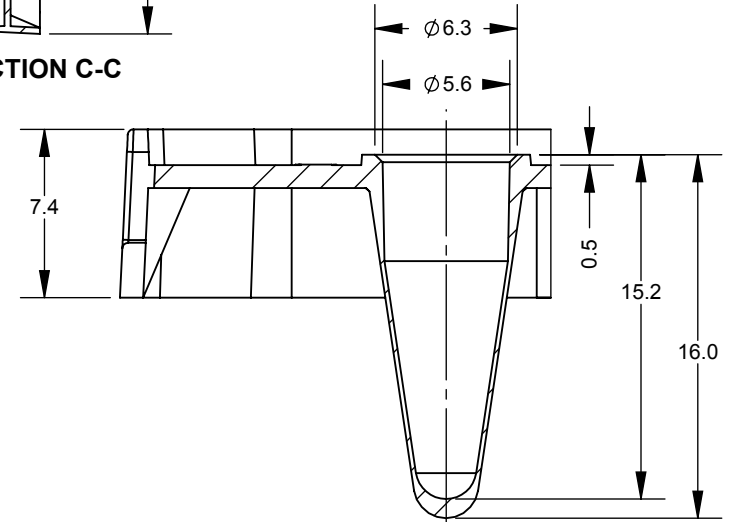
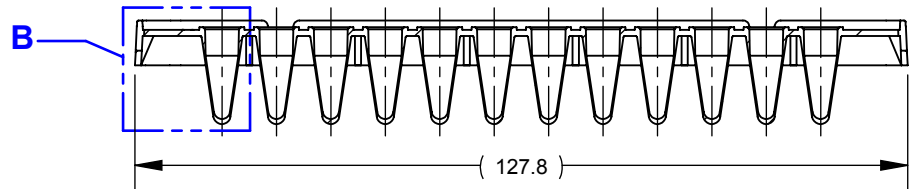



SECTION C-C



DETAIL B



SECTION A-A

UNLESS OTHERWISE SPECIFIED DIMENSIONS ARE IN MILLIMETERS		CAD GENERATED DRAWING, DO NOT MANUALLY UPDATE		 <b>1310 Thurman Street</b> <b>Lodi CA, 95240</b> <b>Ph: (209) 333-2120</b> <b>Fx: (209) 333-8623</b> <b>info@scientificspecialties.com</b>
		APPROVALS	DATE	
		DRAWN: P. DO	8/22/2016	<b>3426-XX</b> <b>"RAISED SKIRT" LOW PROFILE 96 WELL</b>
SSI MATERIAL:		CHECKED:		
MANUFACTURER'S MATERIAL:		DESIGN ENG:		
FINISH:		MFG ENG:		
DO NOT SCALE DRAWING		QUAL ENG:		SIZE: SHRINK RATE: <b>A</b>
		SCALE: 1:1	JOB NO.:	REV.: 2
		SHEET: 1 OF 1		PRINTED: 8/22/2016