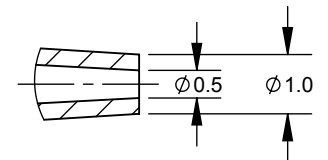
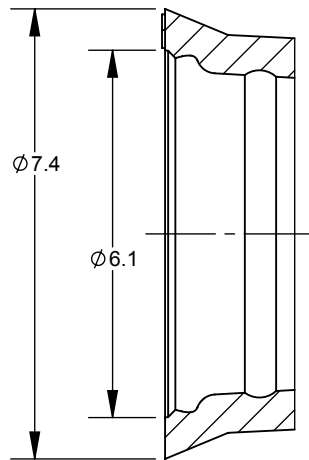


SECTION A-A



DETAIL B



DETAIL C

UNLESS OTHERWISE SPECIFIED
DIMENSIONS ARE IN MILLIMETERS

CAD GENERATED DRAWING,
DO NOT MANUALLY UPDATE

APPROVALS	DATE
DRAWN: P. DO	4/4/2017
CHECKED:	

SSI MATERIAL:

MANUFACTURER'S MATERIAL:

FINISH:

DO NOT SCALE DRAWING

DESIGN ENG:

MFG ENG:

QUAL ENG:



1310 Thurman Street
Lodi CA, 95240
Ph: (209) 333-2120
F: (209) 333-8623
info@scientificspecialties.com

4280-XX
200uL XL TIP

SIZE: SHRINK RATE:

A

SCALE: 1:1

JOB NO.:

REV.:
REL

SHEET: 1 OF 1

PRINTED 4/4/2017