
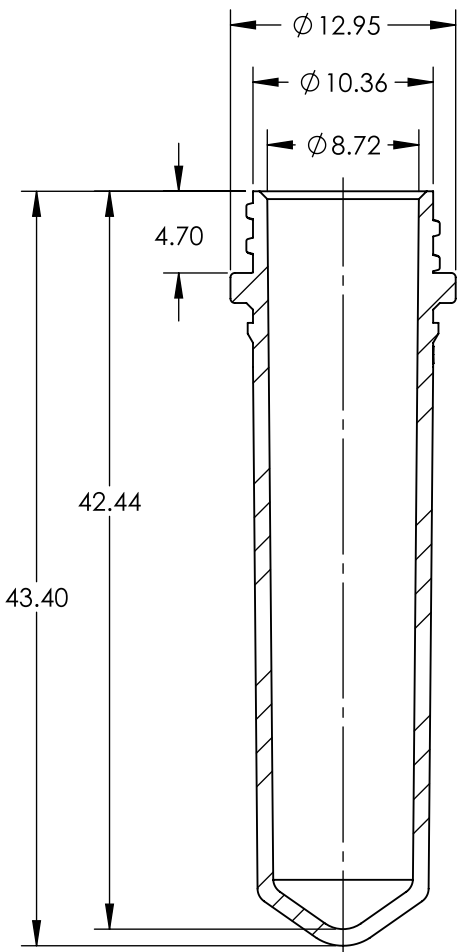
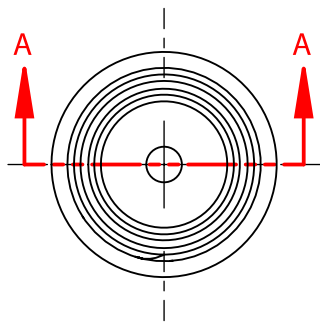
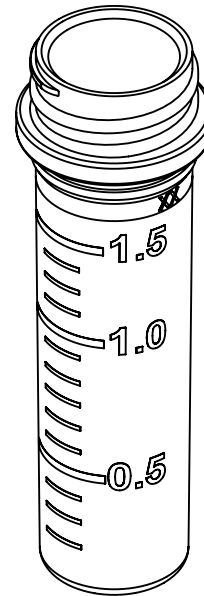



| | | | |
|---|--|-----------|--|
| UNLESS OTHERWISE SPECIFIED DIMENSIONS ARE IN MILLIMETERS | CAD GENERATED DRAWING. DO NOT MANUALLY UPDATE | |  1310 Thurman Street Lodi CA, 95240 Ph: (209) 333-2120 Fx: (209) 333-8623 info@scientificspecialties.com |
| | APPROVALS | DATE | |
| SSI MATERIAL: | DRAWN: P. DO | 3/21/2018 | 2002-XX SCREW TUBE TETHERED CAP |
| MANUFACTURER'S MATERIAL: | CHECKED: | | |
| FINISH: | DESIGN ENG: | | |
| DO NOT SCALE DRAWING | MFG ENG: | | |
| | QUAL ENG: | | SIZE: A SHRINK RATE: --- REV.: 5 SCALE: 1:1 JOB NO.: --- SHEET: 1 OF 1 |



SECTION A-A
SCALE: 2.3 : 1



| | | | |
|---|--|-----------|--|
| UNLESS OTHERWISE SPECIFIED DIMENSIONS ARE IN MILLIMETERS | CAD GENERATED DRAWING. DO NOT MANUALLY UPDATE | |  1310 Thurman Street Lodi CA, 95240 Ph: (209) 333-2120 Fx: (209) 333-8623 info@scientificspecialties.com |
| | APPROVALS | DATE | |
| SSI MATERIAL: | DRAWN: P. DO | 3/18/2015 | 2630-00 (METRIC) 2.0mL SCREW CAP TUBE - CONICAL GRADUATED |
| MANUFACTURER'S MATERIAL: | CHECKED: | | |
| FINISH: | RESP ENG: | | |
| DO NOT SCALE DRAWING | MFG ENG: | | |
| | QUAL ENG: | | SIZE: A SHRINK RATE: --- REV.: 2 SCALE: 1:1 JOB NO.: --- SHEET: 1 OF 1 |