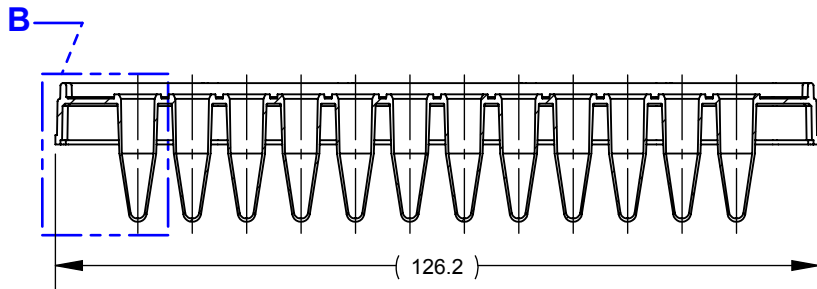
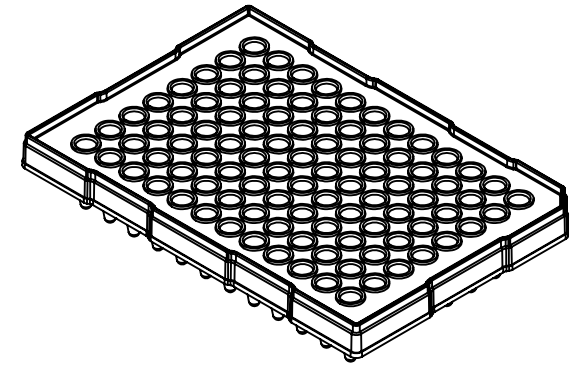
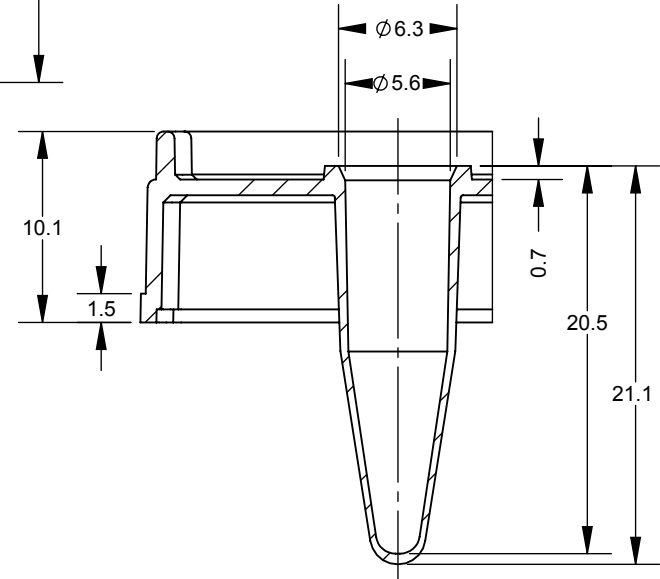


SECTION C-C



SECTION A-A




DETAIL B

UNLESS OTHERWISE SPECIFIED
DIMENSIONS ARE IN MILLIMETERS

CAD GENERATED DRAWING,
DO NOT MANUALLY UPDATE

APPROVALS	DATE
DRAWN: P. DO	3/29/2018

SSI MATERIAL:	CHECKED:
MANUFACTURER'S MATERIAL:	DESIGN ENG:
FINISH:	MFG ENG:
DO NOT SCALE DRAWING	QUAL ENG:



1310 Thurman Street
Lodi CA, 95240
Ph: (209) 333-2120
F: (209) 333-8623
info@scientificspecialties.com

3425-XX
"SEMI SKIRT" RAISED RIM 96 WELL

SIZE: A	SHRINK RATE:	REV.: 5
SCALE: 1:1	JOB NO.:	SHEET: 1 OF 1

PRINTED 3/29/2018