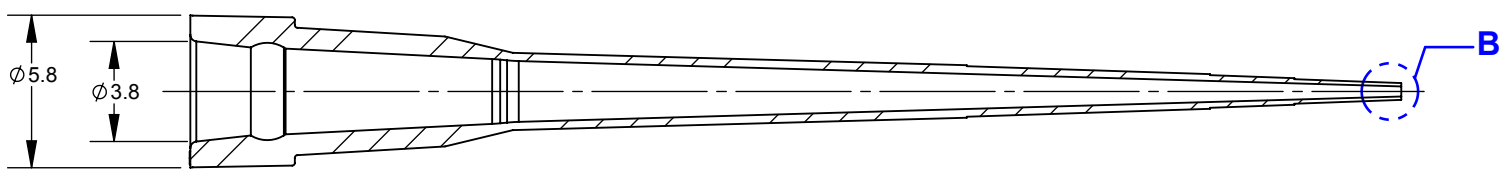
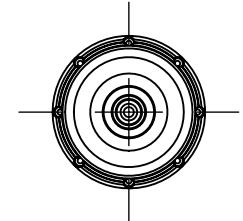
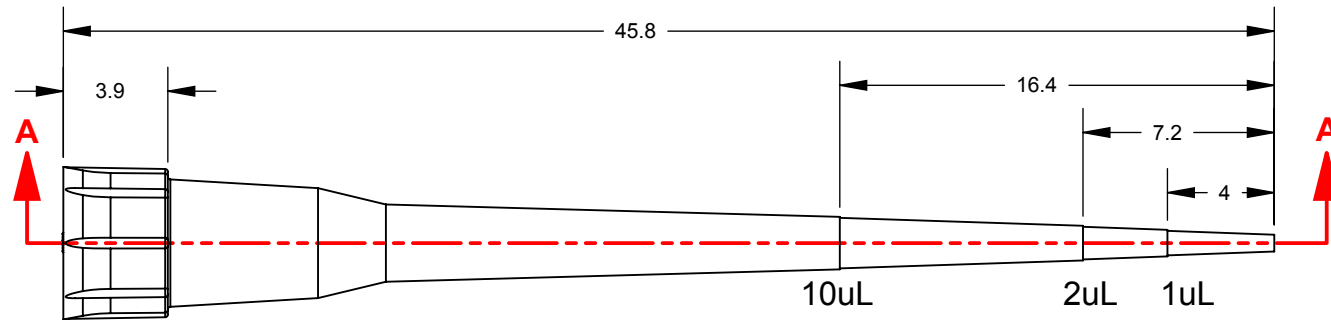
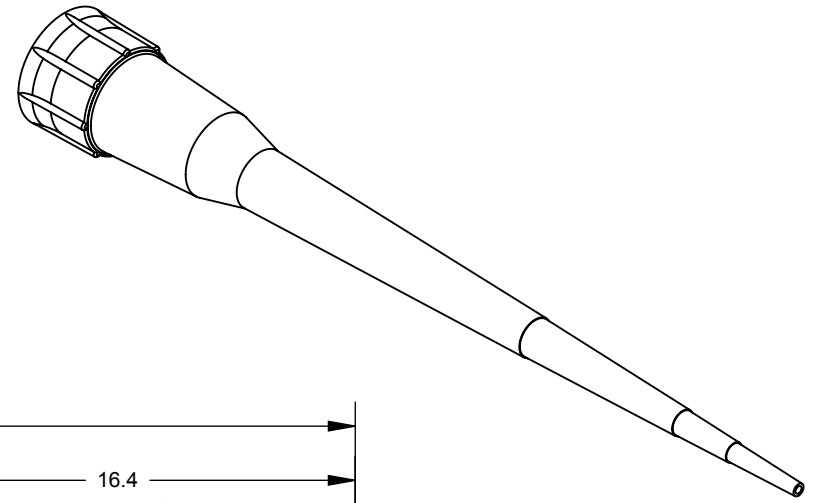
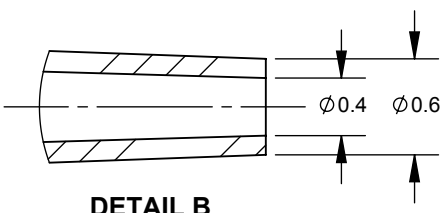



WITH 1uL GRADUATION LINE



SECTION A-A



DETAIL B

UNLESS OTHERWISE SPECIFIED DIMENSIONS ARE IN MILLIMETERS	CAD GENERATED DRAWING, DO NOT MANUALLY UPDATE		 <b>1310 Thurman Street Lodi CA, 95240 Ph: (209) 333-2120 Fx: (209) 333-8623 info@scientificspecialties.com</b>
	APPROVALS	DATE	
SSI MATERIAL:	DRAWN: P. DO	8/29/2016	<b>4130-XX</b> <b>1-10uL PIPETTE TIP</b>
MANUFACTURER'S MATERIAL:	CHECKED:		
FINISH:	DESIGN ENG:		
DO NOT SCALE DRAWING	MFG ENG:		
	QUAL ENG:		SIZE: <b>A</b> SHRINK RATE: SCALE: 1:1 JOB NO.: SHEET: 1 OF 1
			REV.: 8

PRINTED 1/30/2017