
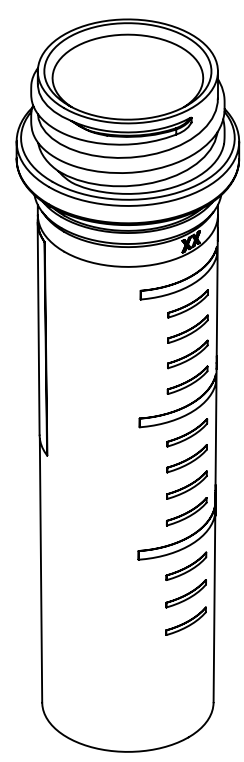
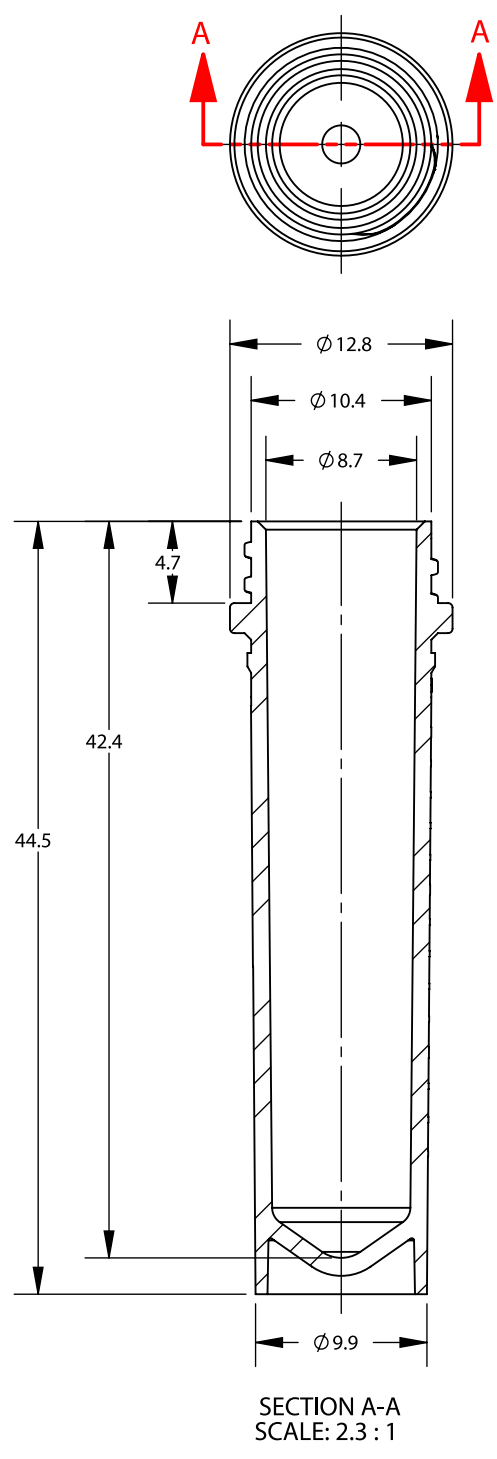



UNLESS OTHERWISE SPECIFIED DIMENSIONS ARE IN MILLIMETERS	CAD GENERATED DRAWING. DO NOT MANUALLY UPDATE		 1310 Thurman Street Lodi CA, 95240 Ph: (209) 333-2120 Fx: (209) 333-8623 info@scientificspecialties.com
	APPROVALS	DATE	
SSI MATERIAL:	DRAWN: P. DO	3/21/2018	2002-XX SCREW TUBE TETHERED CAP
MANUFACTURER'S MATERIAL:	CHECKED:		
FINISH:	DESIGN ENG:		SIZE: SHRINK RATE:
DO NOT SCALE DRAWING	MFG ENG:		SCALE: 1:1 JOB NO.:
	QUAL ENG:		REV.: 5 SHEET: 1 OF 1



UNLESS OTHERWISE SPECIFIED DIMENSIONS ARE IN MILLIMETERS	CAD GENERATED DRAWING. DO NOT MANUALLY UPDATE		 1310 Thurman Street Lodi CA, 95240 Ph: (209) 333-2120 Fx: (209) 333-8623 info@scientificspecialties.com
	APPROVALS	DATE	
SSI MATERIAL:	DRAWN: P. DO	7/25/2016	2640-XX 2.0mL SCREW CAP TUBE - SKIRTED GRADUATED
MANUFACTURER'S MATERIAL:	CHECKED:		
FINISH:	DESIGN ENG:		SIZE: SHRINK RATE:
DO NOT SCALE DRAWING	MFG ENG:		SCALE: 1:1 JOB NO.:
	QUAL ENG:		REV.: 2 SHEET: 1 OF 1

PRINTED 3/21/2018

PRINTED 7/25/2016