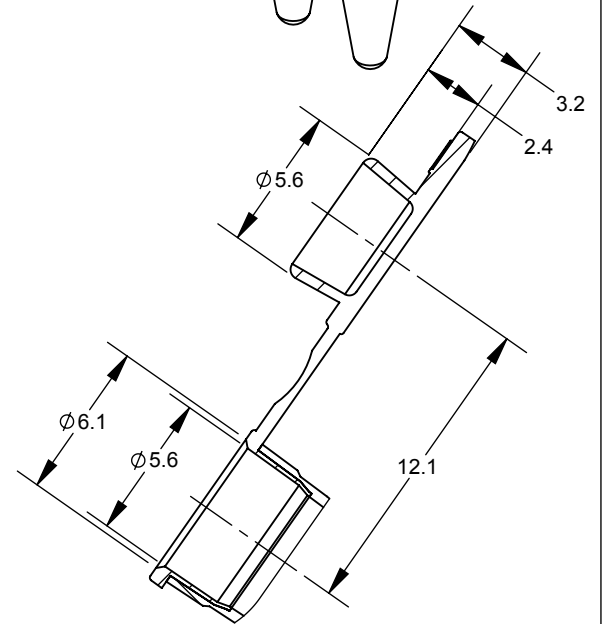


SECTION A-A
SCALE: 1.7 : 1
TYP



DETAIL B
SCALE: 3.4 : 1
TYP

UNLESS OTHERWISE SPECIFIED
DIMENSIONS ARE IN MILLIMETERS

CAD GENERATED DRAWING,
DO NOT MANUALLY UPDATE

APPROVALS	DATE
DRAWN: P. DO	7/26/2016
CHECKED:	
DESIGN ENG:	
MFG ENG:	
QUAL ENG:	



1310 Thurman Street
Lodi CA, 95240
Ph: (209) 333-2120
Fx: (209) 333-8623
info@scientificspecialties.com

3248-XX
8-STRIP PCR TUBE W/ SNAP STRIP FLAT CAP

SSI MATERIAL:
MANUFACTURER'S MATERIAL:
FINISH:
DO NOT SCALE DRAWING

SIZE: SHRINK RATE:
A

SCALE: 1:1	JOB NO.:	REV.: 4
SHEET: 1 OF 1		

PRINTED 7/26/2016