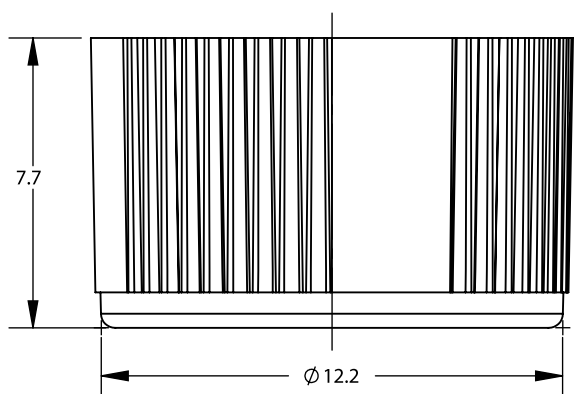
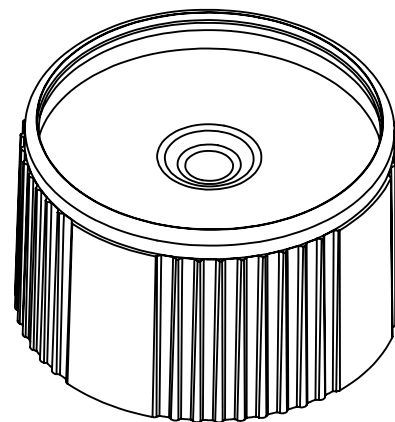
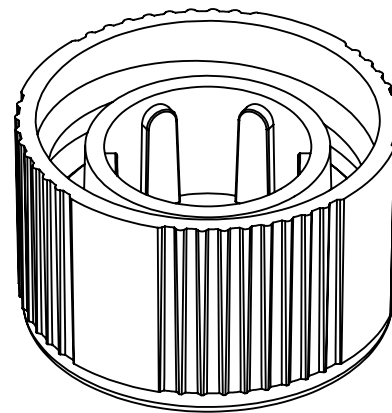

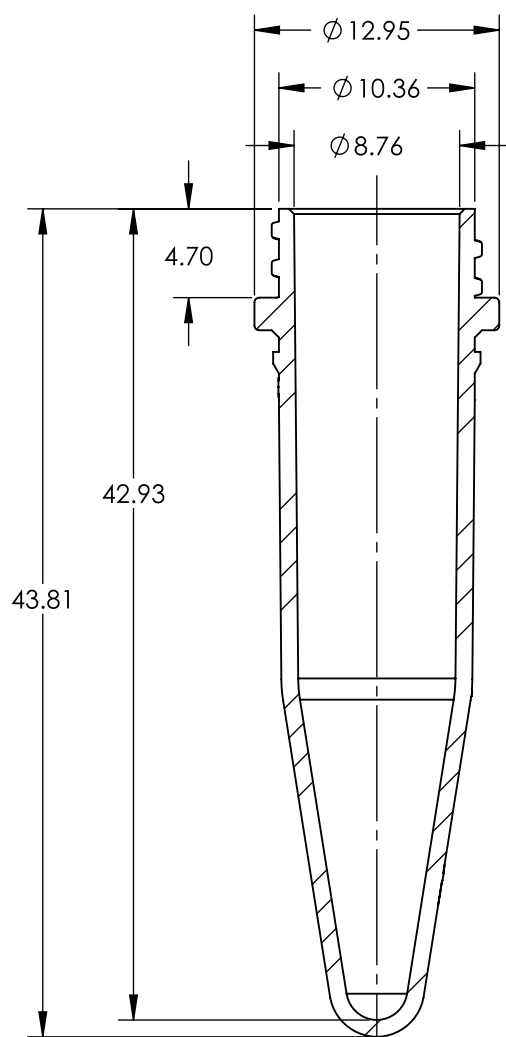
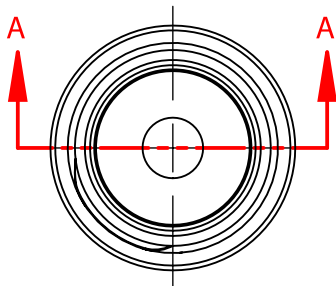


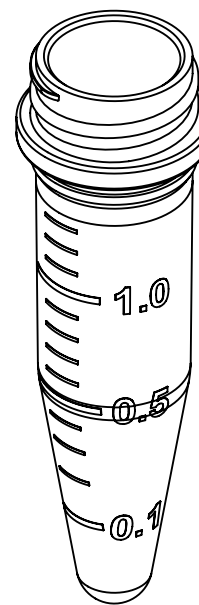
SECTION A-A  
SCALE: 5:1




UNLESS OTHERWISE SPECIFIED DIMENSIONS ARE IN MILLIMETERS	CAD GENERATED DRAWING. DO NOT MANUALLY UPDATE		 <b>1310 Thurman Street</b> <b>Lodi CA, 95240</b> <b>Ph: (209) 333-2120</b> <b>Fx: (209) 333-8623</b> <b>info@scientificspecialties.com</b>
	APPROVALS	DATE	
	DRAWN: P. DO	3/21/2018	<b>2003-XX</b> <b>INSERTABLE SCREW CAP</b>
SSI MATERIAL:	CHECKED:		
MANUFACTURER'S MATERIAL:	DESIGN ENG:		SIZE: A    SHRINK RATE:    REV.: 3
FINISH:	MFG ENG:		SCALE: 1:1    JOB NO.:    SHEET: 1 OF 1
DO NOT SCALE DRAWING	QUAL ENG:		



SECTION A-A  
SCALE: 2.5:1



UNLESS OTHERWISE SPECIFIED DIMENSIONS ARE IN MILLIMETERS	CAD GENERATED DRAWING. DO NOT MANUALLY UPDATE		 <b>1310 Thurman Street</b> <b>Lodi CA, 95240</b> <b>Ph: (209) 333-2120</b> <b>Fx: (209) 333-8623</b> <b>info@scientificspecialties.com</b>
	APPROVALS	DATE	
	DRAWN: P. DO	3/18/2015	<b>2530-00 (METRIC)</b> <b>1.5mL SCREW CAP TUBE - GRADUATED</b>
SSI MATERIAL:	CHECKED:		
MANUFACTURER'S MATERIAL:	RESP ENG:		SIZE: A    SHRINK RATE:    REV.: REL
FINISH:	MFG ENG:		SCALE: 1:1    JOB NO.:    SHEET: 1 OF 1
DO NOT SCALE DRAWING	QUAL ENG:		