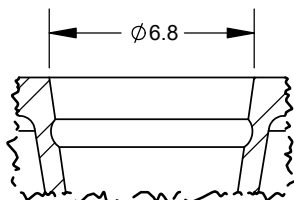
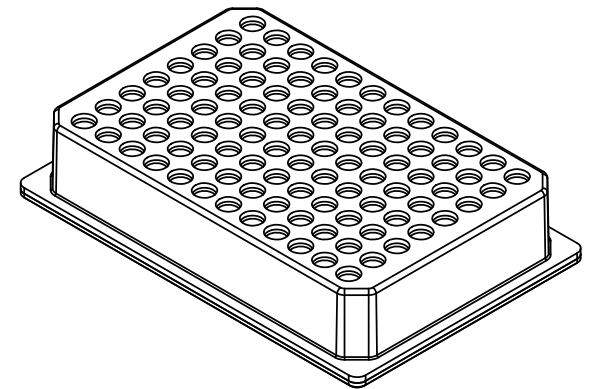



SECTION A-A
SCALE: 0.7 : 1



DETAIL B
SCALE: 4 : 1
TYP

UNLESS OTHERWISE SPECIFIED DIMENSIONS ARE IN MILLIMETERS	CAD GENERATED DRAWING, DO NOT MANUALLY UPDATE		 1310 Thurman Street Lodi CA, 95240 Ph: (209) 333-2120 Fx: (209) 333-8623 info@scientificspecialties.com
	APPROVALS	DATE	
SSi MATERIAL:	DRAWN: A MC	6/16/2023	5650-XX ISO FREEZE RACK
MANUFACTURER'S MATERIAL:	CHECKED:		
FINISH:	DESIGN ENG:		
DO NOT SCALE DRAWING	MFG ENG:		
	QUAL ENG:		SIZE: A SHRINK RATE: SCALE: 1:2 JOB NO.: SHEET: 1 OF 1
			REV.: REL

PRINTED 6/19/2023