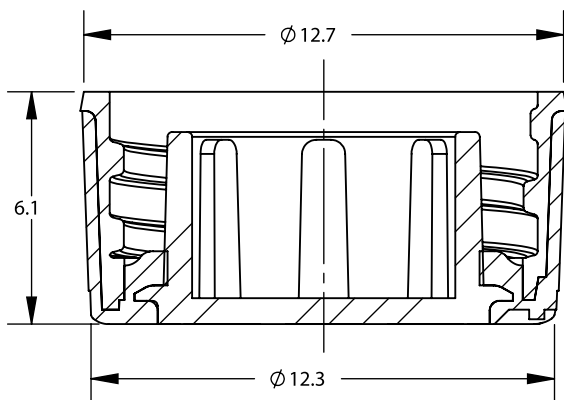
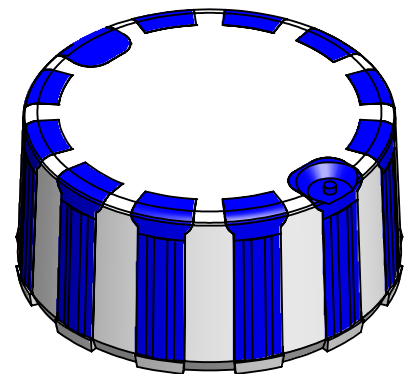



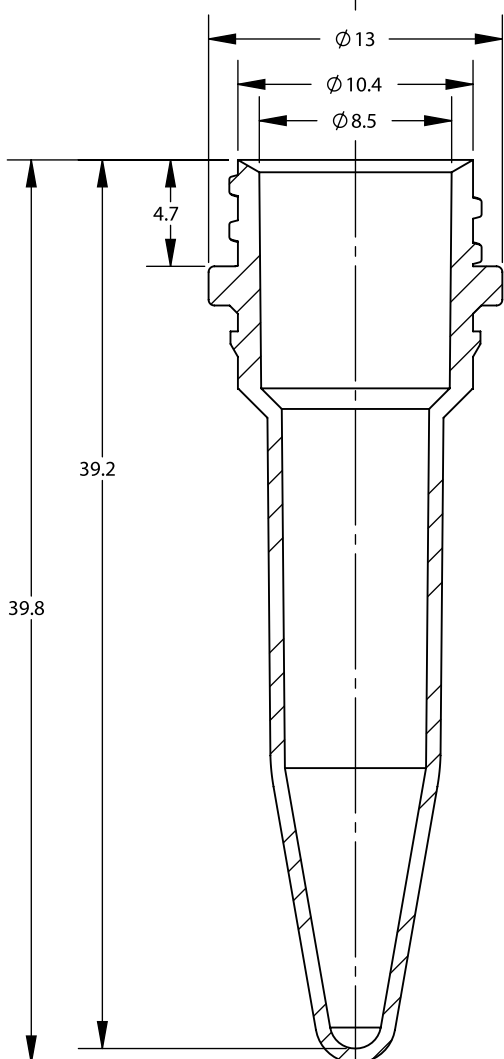
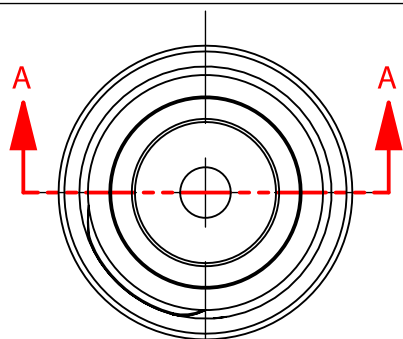
SECTION A-A
SCALE: 5 : 1



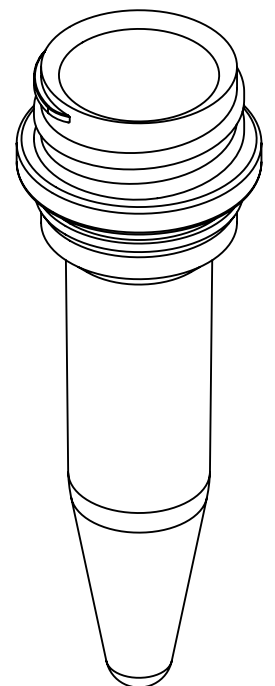
SECTION B-B
SCALE: 5 : 1




UNLESS OTHERWISE SPECIFIED DIMENSIONS ARE IN MILLIMETERS	CAD GENERATED DRAWING, DO NOT MANUALLY UPDATE		 1310 Thurman Street Lodi CA, 95240 Ph: (209) 333-2120 Fx: (209) 333-8623 info@scientificspecialties.com
	APPROVALS	DATE	
SSI MATERIAL:	DRAWN: P. DO	3/21/2018	2005-XX GIPSEAL SCREW CAP
MANUFACTURER'S MATERIAL:	CHECKED:		
FINISH:	DESIGN ENG:		SIZE: A SHRINK RATE: SCALE: 1:1 JOB NO.: SHEET: 1 OF 1
DO NOT SCALE DRAWING	MFG ENG:		REV.: REL PRINTED: 3/21/2018
	QUAL ENG:		



SECTION A-A
SCALE: 3 : 1



UNLESS OTHERWISE SPECIFIED DIMENSIONS ARE IN MILLIMETERS	CAD GENERATED DRAWING, DO NOT MANUALLY UPDATE		 1310 Thurman Street Lodi CA, 95240 Ph: (209) 333-2120 Fx: (209) 333-8623 info@scientificspecialties.com
	APPROVALS	DATE	
SSI MATERIAL:	DRAWN: P. DO	7/20/2016	2430-XX 0.5mL SCREW CAP TUBE-STANDARD
MANUFACTURER'S MATERIAL:	CHECKED:		
FINISH:	DESIGN ENG:		SIZE: A SHRINK RATE: SCALE: 1:1 JOB NO.: SHEET: 1 OF 1
DO NOT SCALE DRAWING	MFG ENG:		REV.: 2 PRINTED: 7/20/2016
	QUAL ENG:		