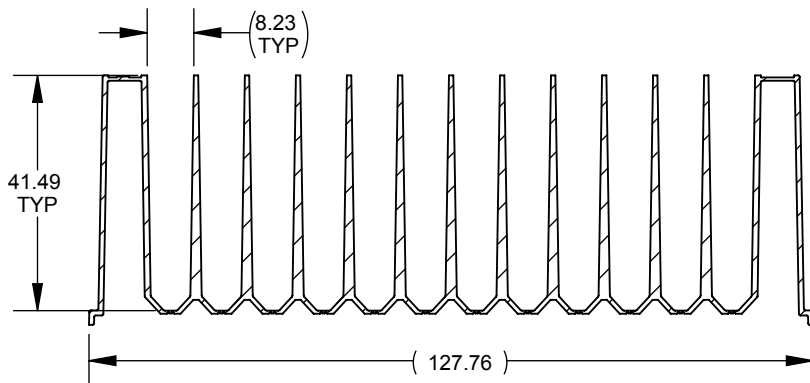
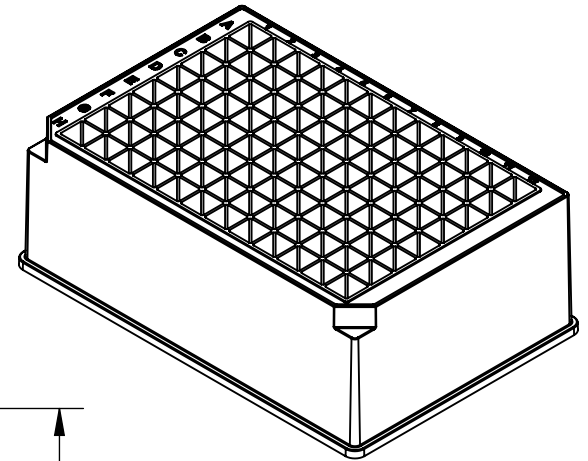
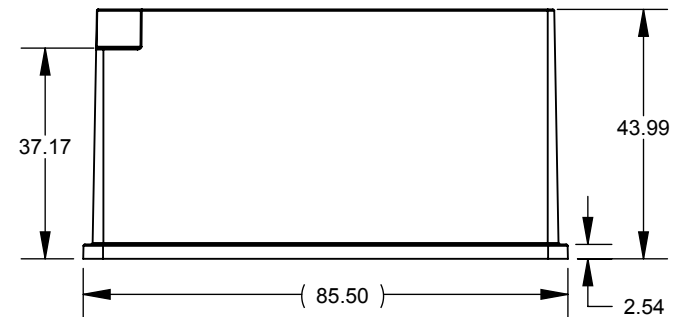


DETAIL B
SCALE: 3 : 1
TYP



SECTION A-A
SCALE: 0.75 : 1



UNLESS OTHERWISE SPECIFIED
DIMENSIONS ARE IN MILLIMETERS

CAD GENERATED DRAWING.
DO NOT MANUALLY UPDATE



1310 Thurman Street
Lodi CA, 95240
Ph: (209) 333-2120
F: (209) 333-8623
info@scientificspecialties.com

APPROVALS	DATE	
	DRAWN: P. DO	5/31/2016
SSI MATERIAL:	CHECKED:	
MANUFACTURER'S MATERIAL:	RESP ENG:	
FINISH:	MFG ENG:	
DO NOT SCALE DRAWING	QUAL ENG:	

7753-XX	
96 WELL SQUARE STD HEIGHT HTS RACK	
SIZE: A	SHRINK RATE:
SCALE: 1:2	JOB NO.:
REV.: E	SHEET: 1 OF 1

PRINTED 6/1/2016