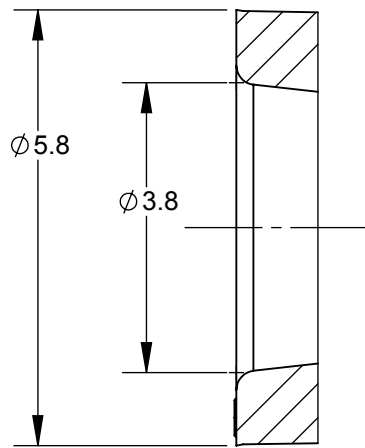
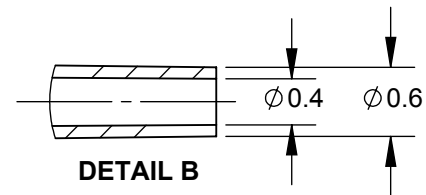



SECTION A-A



DETAIL C



DETAIL B

| | | | |
|---|--|--------------|--|
| UNLESS OTHERWISE SPECIFIED DIMENSIONS ARE IN MILLIMETERS | CAD GENERATED DRAWING, DO NOT MANUALLY UPDATE | |  1310 Thurman Street Lodi CA, 95240 Ph: (209) 333-2120 Fx: (209) 333-8623 info@scientificspecialties.com |
| | APPROVALS | DATE | |
| SSI MATERIAL: | DRAWN: P. DO | 10/20/2016 | 4810-XX <i>10uL GEL ROUND TIP-SHORT</i> |
| MANUFACTURER'S MATERIAL: | CHECKED: | | |
| FINISH: | RESP ENG: | | |
| DO NOT SCALE DRAWING | QUAL ENG: | | |
| SIZE: A | | SHRINK RATE: | REV.: REL |
| SCALE: 2:1 | | JOB NO.: | SHEET: 1 OF 1 |

PRINTED 10/20/2016