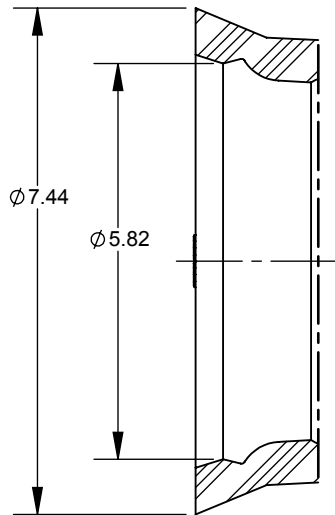
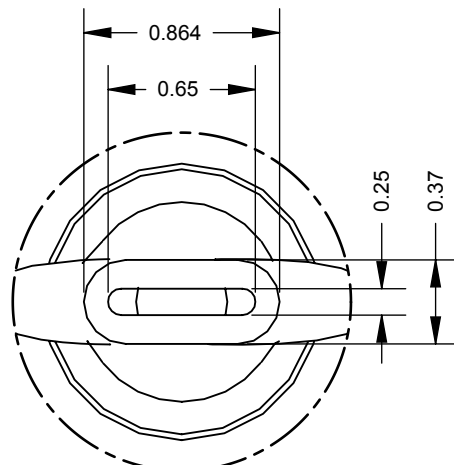


SECTION A-A
SCALE: 2 : 1



DETAIL C
SCALE: 9 : 1



DETAIL B
SCALE: 30 : 1

UNLESS OTHERWISE SPECIFIED
DIMENSIONS ARE IN MILLIMETERS

CAD GENERATED DRAWING,
DO NOT MANUALLY UPDATE

APPROVALS	DATE
DRAWN: P. DO	6/27/2016
CHECKED:	

SSI MATERIAL:

MANUFACTURER'S MATERIAL:

FINISH:

DO NOT SCALE DRAWING

DESIGN ENG:

MFG ENG:

QUAL ENG:



1310 Thurman Street
Lodi CA, 95240
Ph: (209) 333-2120
F: (209) 333-8623
info@scientificspecialties.com

4837-0A-XX
200µL FLATTEN GEL TIP-LONG

SIZE	SHRINK RATE	REV.:
A		1
SCALE: 1:1	JOB NO.:	SHEET: 1 OF 1

PRINTED 6/27/2016