
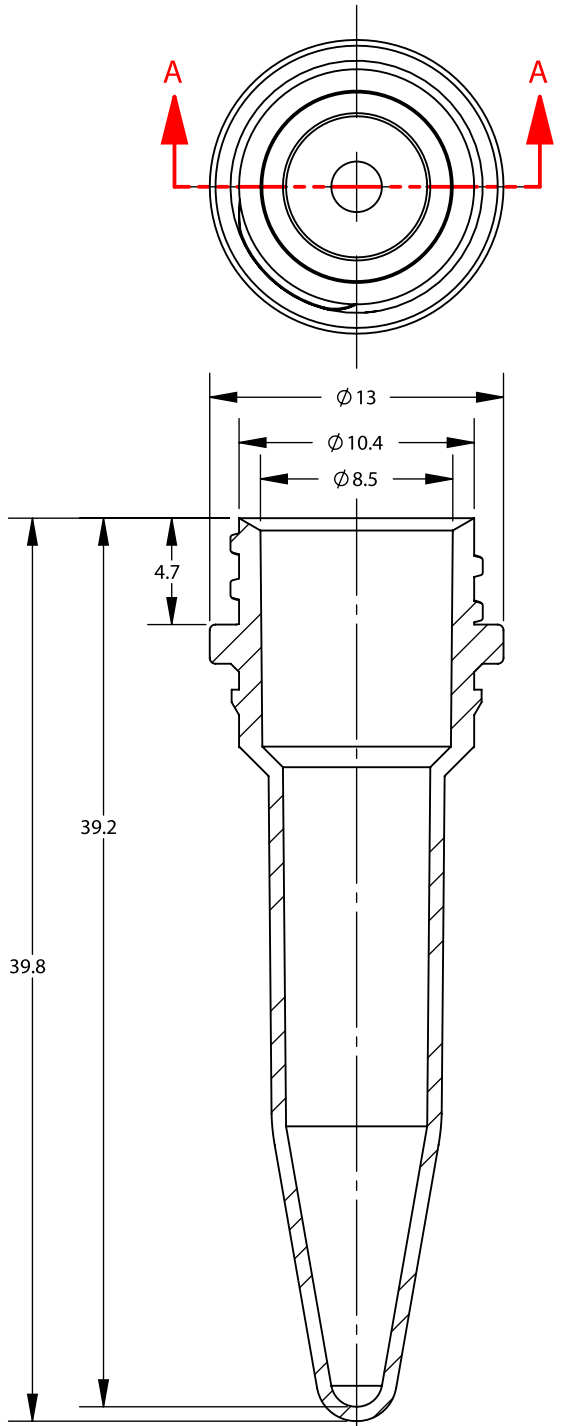



UNLESS OTHERWISE SPECIFIED DIMENSIONS ARE IN MILLIMETERS	CAD GENERATED DRAWING. DO NOT MANUALLY UPDATE		 <b>1310 Thurman Street</b> <b>Lodi CA, 95240</b> <b>Ph: (209) 333-2120</b> <b>Fx: (209) 333-8623</b> <b>info@scientificspecialties.com</b>
	APPROVALS	DATE	
SSI MATERIAL:	DRAWN: P. DO	3/21/2018	<b>2002-XX</b> <b>SCREW TUBE TETHERED CAP</b>
MANUFACTURER'S MATERIAL:	CHECKED:		
FINISH:	DESIGN ENG:		SIZE:   SHRINK RATE:
DO NOT SCALE DRAWING	MFG ENG:		SCALE: 1:1   JOB NO.:
	QUAL ENG:		REV.: 5   SHEET: 1 OF 1



UNLESS OTHERWISE SPECIFIED DIMENSIONS ARE IN MILLIMETERS	CAD GENERATED DRAWING. DO NOT MANUALLY UPDATE		 <b>1310 Thurman Street</b> <b>Lodi CA, 95240</b> <b>Ph: (209) 333-2120</b> <b>Fx: (209) 333-8623</b> <b>info@scientificspecialties.com</b>
	APPROVALS	DATE	
SSI MATERIAL:	DRAWN: P. DO	7/20/2016	<b>2430-XX</b> <b>0.5mL SCREW CAP TUBE-STANDARD</b>
MANUFACTURER'S MATERIAL:	CHECKED:		
FINISH:	DESIGN ENG:		SIZE:   SHRINK RATE:
DO NOT SCALE DRAWING	MFG ENG:		SCALE: 1:1   JOB NO.:
	QUAL ENG:		REV.: 2   SHEET: 1 OF 1

3/21/2018

7/20/2016