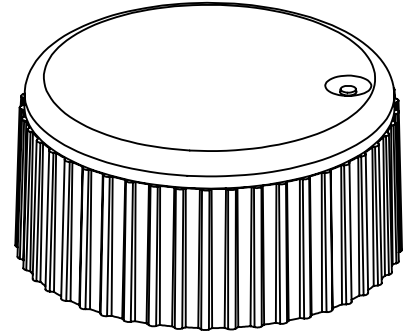
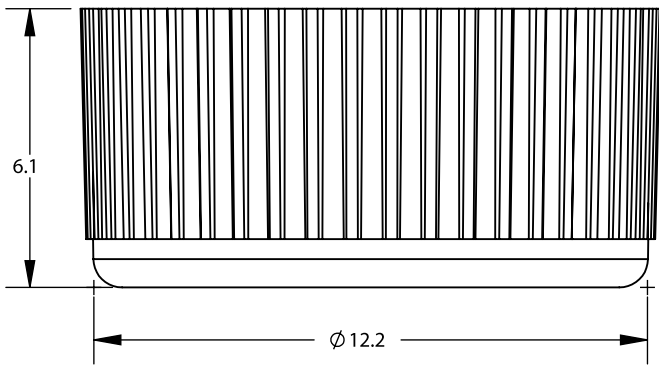
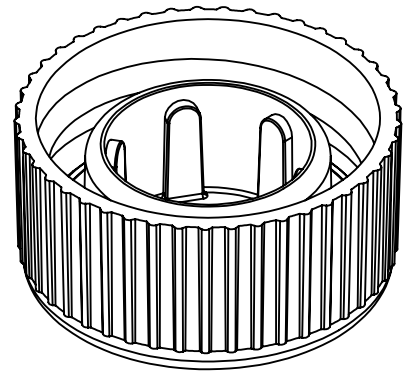


SECTION A-A  
SCALE: 5 : 1



UNLESS OTHERWISE SPECIFIED  
DIMENSIONS ARE IN MILLIMETERS

CAD GENERATED DRAWING,  
DO NOT MANUALLY UPDATE

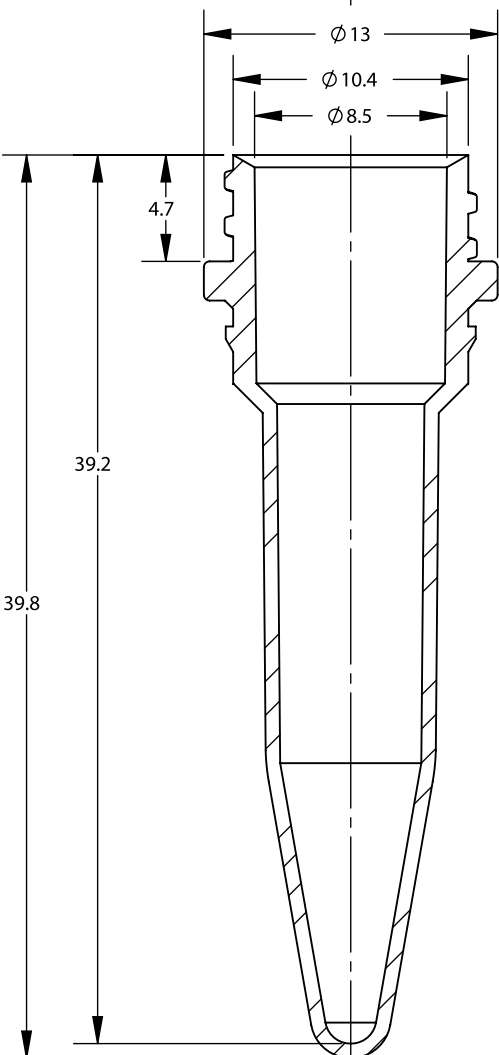
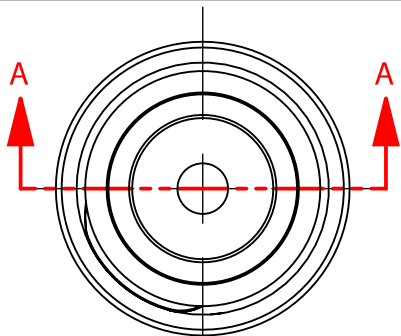


1310 Thurman Street  
Lodi CA, 95240  
Ph: (209) 333-2120  
Fx: (209) 333-8623  
info@scientificspecialties.com

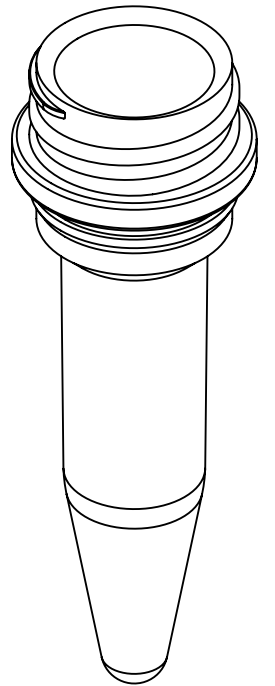
APPROVALS		DATE
DRAWN: P. DO		3/21/2018
CHECKED:		
RESP ENG:		
MFG ENG:		
QUAL ENG:		

<b>2001-XX</b>		REV.: REL
SCREW CAP ASSEMBLY		
SIZE: A	SHRINK RATE:	
SCALE: 1:1	JOB NO.:	SHEET: 1 OF 1

PRINTED 3/21/2018



SECTION A-A  
SCALE: 3 : 1



UNLESS OTHERWISE SPECIFIED  
DIMENSIONS ARE IN MILLIMETERS

CAD GENERATED DRAWING,  
DO NOT MANUALLY UPDATE



1310 Thurman Street  
Lodi CA, 95240  
Ph: (209) 333-2120  
Fx: (209) 333-8623  
info@scientificspecialties.com

APPROVALS		DATE
DRAWN: P. DO		7/20/2016
CHECKED:		
DESIGN ENG:		
MFG ENG:		
QUAL ENG:		

<b>2430-XX</b>		REV.: 2
0.5mL SCREW CAP TUBE-STANDARD		
SIZE: A	SHRINK RATE:	
SCALE: 1:1	JOB NO.:	SHEET: 1 OF 1

PRINTED 7/20/2016