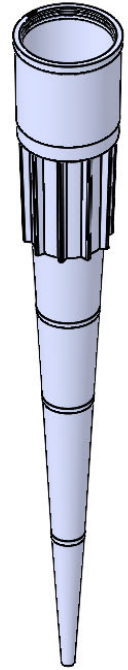
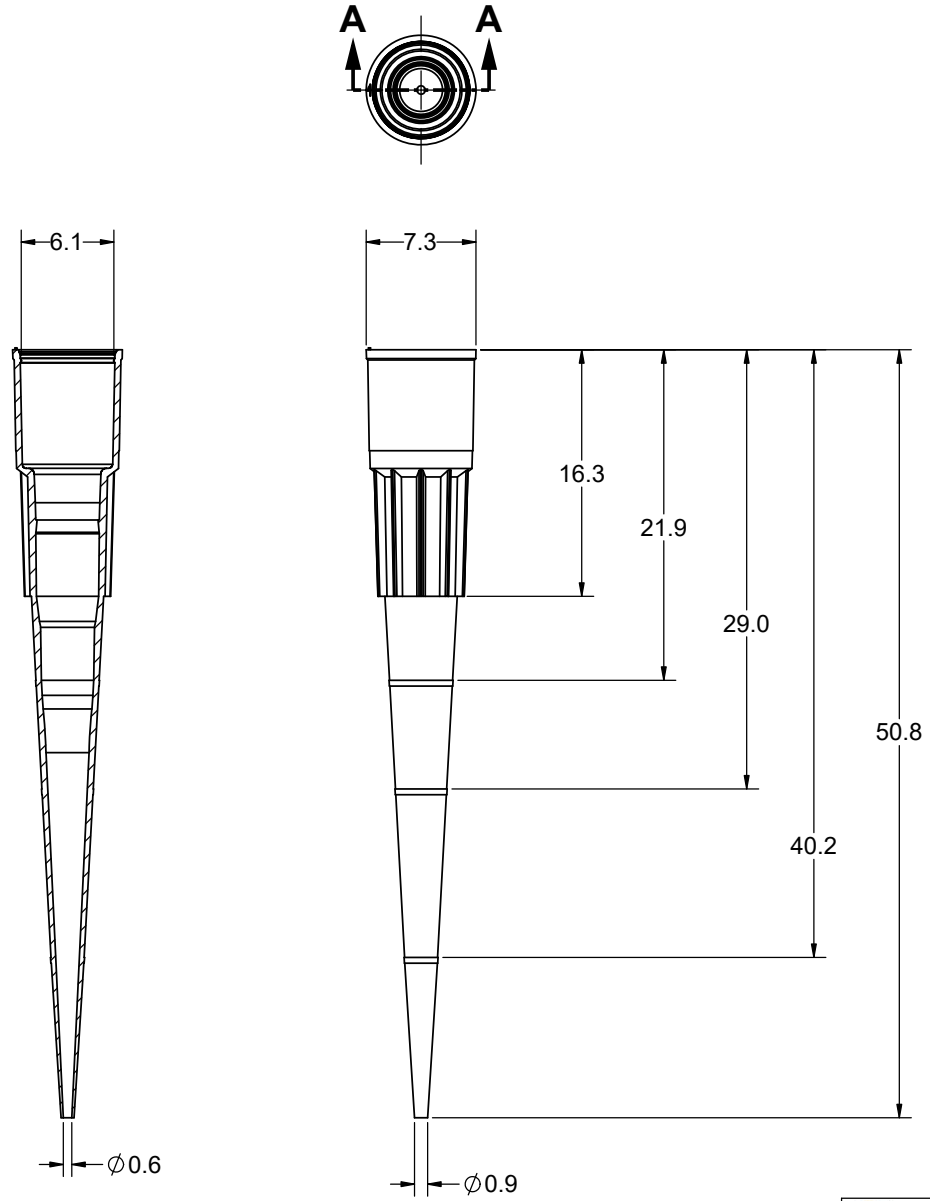


**Copyright Scientific Specialties, Inc.**  
 This drawing and/or any technical information relating to it is issued in strict confidence and may not be reproduced or used for manufacture without written permission. Upon receipt of which it is the user's responsibility to seek confirmation of any dimensions and production tolerances.



**SSI**  
 1310 Thurman Street  
 Lovi, CA 95248  
 Ph: (209) 333-2120  
 Fx: (209) 333-9623  
 info@scientificspecialties.com

TITLE:	200 uL LTS Tip		
ITEM:	42L0XNOO	REV.:	REL
DATE:	8/21/2023		

UNLESS OTHERWISE SPECIFIED  
 DIMENSIONS ARE IN MILLIMETERS