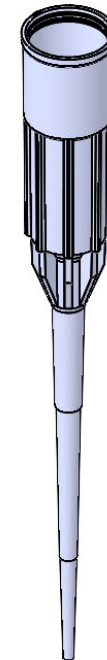
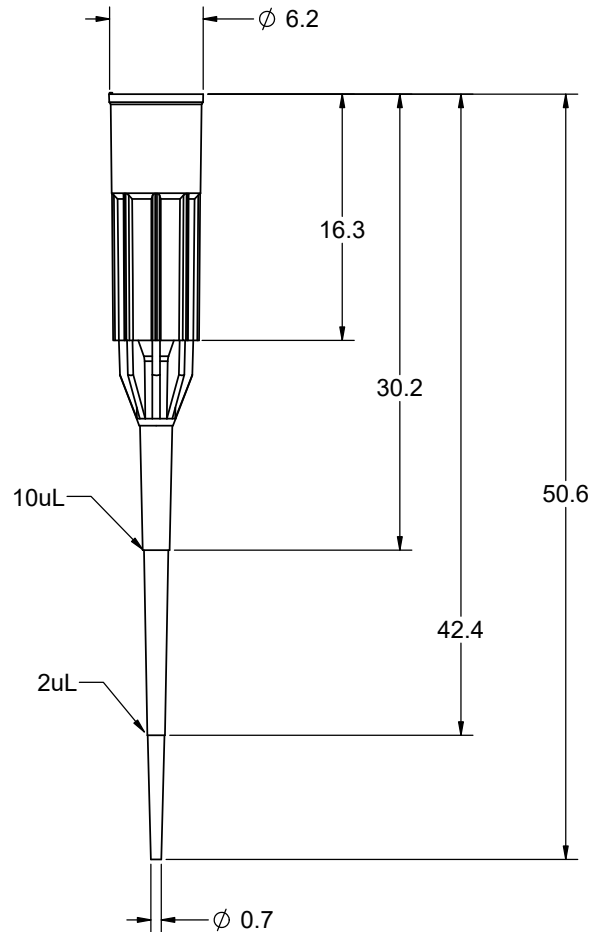


SECTION A-A



SSI
 1310 Thurman Street
 Los CA, 95246
 Ph: (209) 333-2120
 Fx: (209) 333-9623
 info@scientificspecialties.com

UNLESS OTHERWISE SPECIFIED
 DIMENSIONS ARE IN MILLIMETERS

TITLE:	20uL XL LTS Tip		
ITEM:	41LOXN00	REV.:	REL
DATE:	8/18/2023		