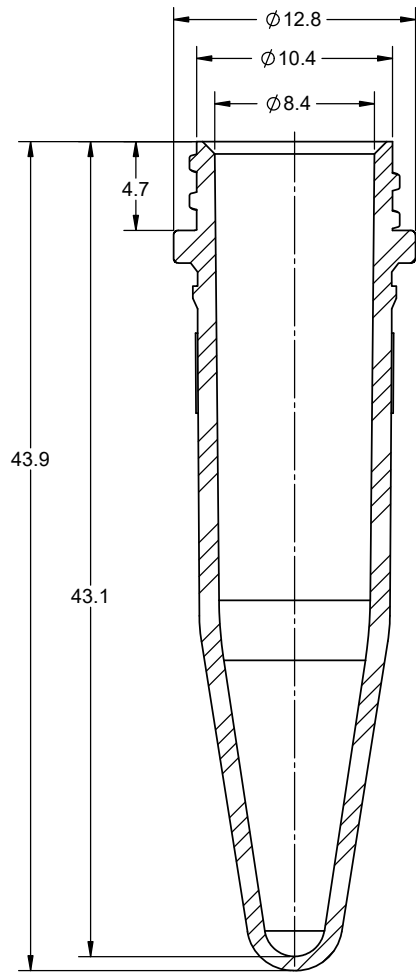
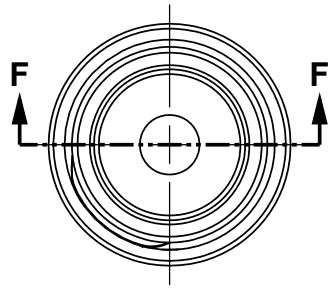
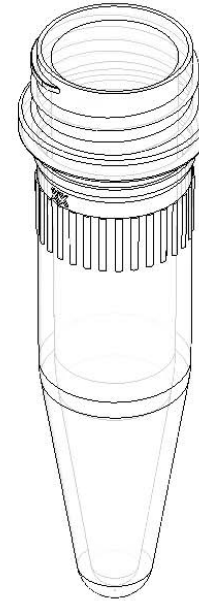


Copyright Scientific Specialties, Inc.
 This drawing and/or any technical information relating to it is issued in strict confidence and may not be reproduced or used for manufacture without written permission. Upon receipt of which it is the user's responsibility to seek confirmation of any dimensions and production tolerances.



SECTION F-F



SSI
 1310 Thurman Street
 Leed, CA 95046
 Ph: (209) 333-2120
 Fx: (209) 333-9623
 info@scientificspecialties.com

TITLE: <i>1.5mL SCREW TUBE - CONICAL RIBBED</i>		
UNLESS OTHERWISE SPECIFIED DIMENSIONS ARE IN MILLIMETERS	ITEM: <i>2210-00</i>	REV.: <i>2</i>
		DATE: <i>6/23/2020</i>