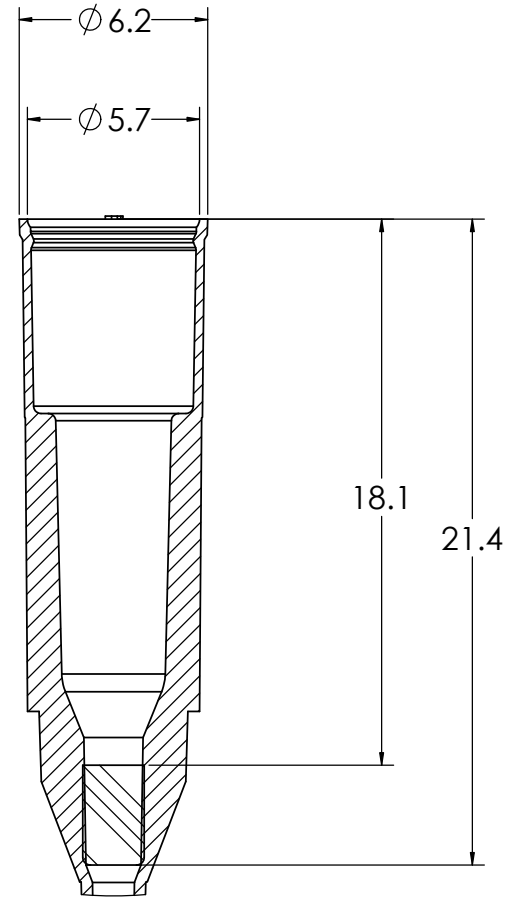
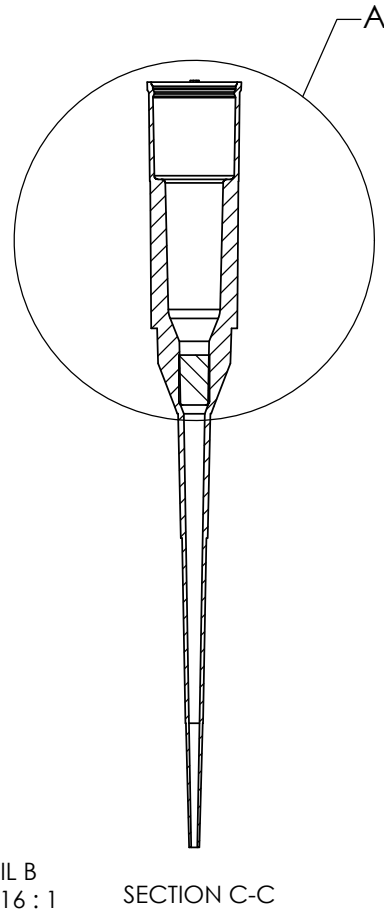
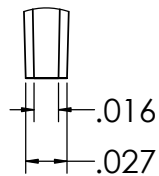
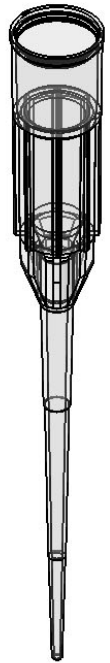



DETAIL B
SCALE 16 : 1



DETAIL A
SCALE 8 : 1



| | | | |
|---|---|---------------|-----------|
|  1310 Thurman Street Leed CA 95048 Ph: (209) 333-2120 Fx: (209) 333-9623 info@scientificspecialties.com | TITLE: 20uL LTS Tip | | |
| | UNLESS OTHERWISE SPECIFIED DIMENSIONS ARE IN MILLIMETERS | ITEM: 41LXNSF | REV.: REL |