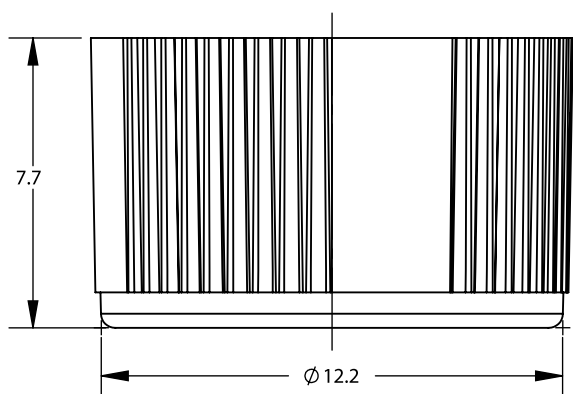
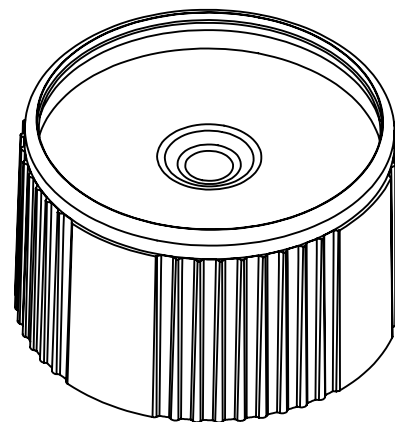
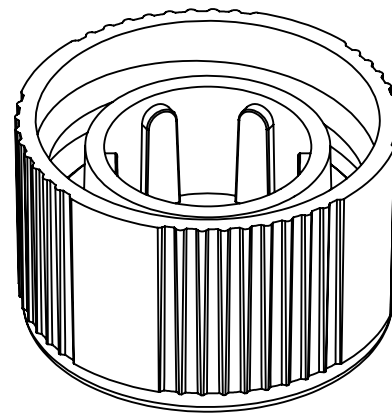

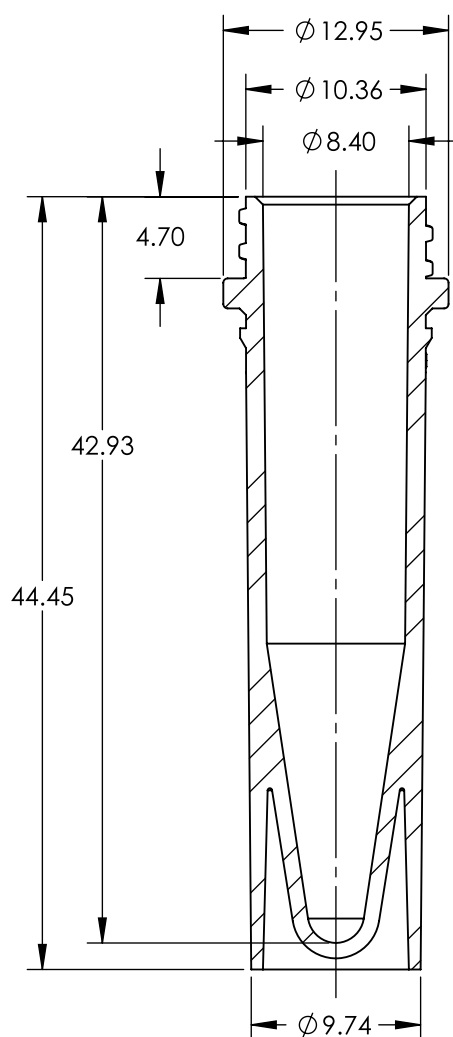
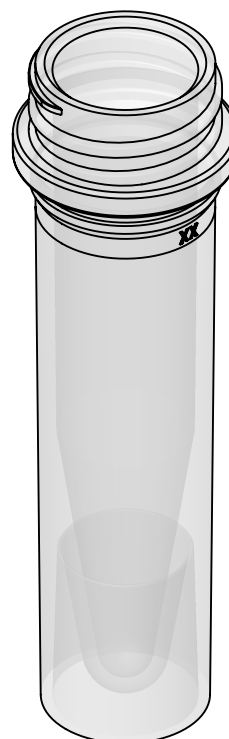
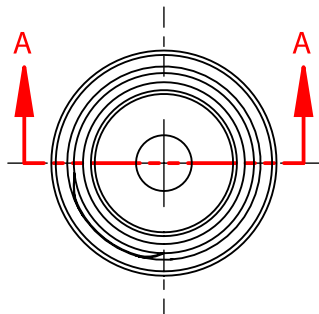


SECTION A-A
SCALE: 5:1




UNLESS OTHERWISE SPECIFIED DIMENSIONS ARE IN MILLIMETERS	CAD GENERATED DRAWING. DO NOT MANUALLY UPDATE		 1310 Thurman Street Lodi CA, 95240 Ph: (209) 333-2120 Fx: (209) 333-8623 info@scientificspecialties.com
	APPROVALS	DATE	
	DRAWN: P. DO	3/21/2018	2003-XX INSERTABLE SCREW CAP
SSI MATERIAL:	CHECKED:		
MANUFACTURER'S MATERIAL:	DESIGN ENG:		SIZE: A SHRINK RATE: --- REV.: 3
FINISH:	MFG ENG:		SCALE: 1:1 JOB NO.: --- SHEET: 1 OF 1
DO NOT SCALE DRAWING	QUAL ENG:		

PRINTED 3/21/2018



SECTION A-A
SCALE: 2.3:1

UNLESS OTHERWISE SPECIFIED DIMENSIONS ARE IN MILLIMETERS TOLERANCES ARE: DECIMALS ANGLES	CAD GENERATED DRAWING. DO NOT MANUALLY UPDATE		 1310 Thurman Street Lodi CA, 95240 Ph: (209) 333-2120 Fx: (209) 333-8623 info@scientificspecialties.com
	APPROVALS	DATE	
	DRAWN: P. DO	9/18/2015	2540-00 1.5mL SCREW CAP TUBE - SKIRTED
SSI MATERIAL:	CHECKED:		
MANUFACTURER'S MATERIAL:	RESP ENG:		SIZE: A SHRINK RATE: --- REV.: 1
FINISH:	MFG ENG:		SCALE: 1:1 JOB NO.: --- SHEET: 1 OF 1
DO NOT SCALE DRAWING	QUAL ENG:		

PRINTED 9/18/2015