
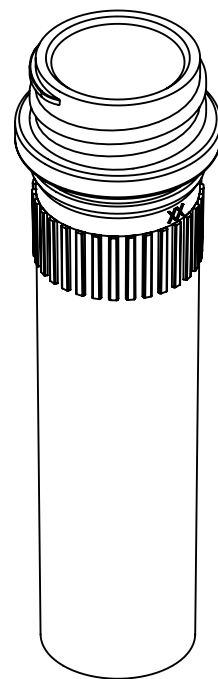
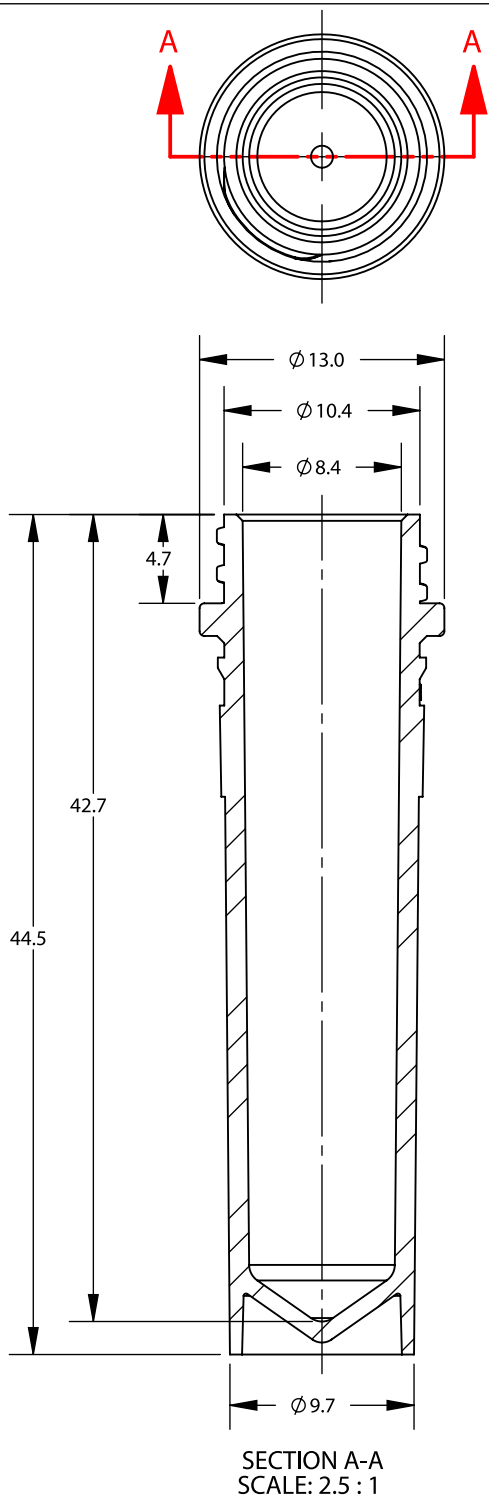



UNLESS OTHERWISE SPECIFIED DIMENSIONS ARE IN MILLIMETERS	CAD GENERATED DRAWING. DO NOT MANUALLY UPDATE		 1310 Thurman Street Lodi CA, 95240 Ph: (209) 333-2120 Fx: (209) 333-8623 info@scientificspecialties.com
	APPROVALS	DATE	
SSi MATERIAL:	DRAWN: P. DO	3/21/2018	2002-XX SCREW TUBE TETHERED CAP
MANUFACTURER'S MATERIAL:	CHECKED:		
FINISH:	DESIGN ENG:		SIZE: A
DO NOT SCALE DRAWING	MFG ENG:		SHRINK RATE:
	QUAL ENG:		SCALE: 1:1
			JOB NO.:
			REV.: 5
			SHEET: 1 OF 1

3/21/2018

PRINTED



UNLESS OTHERWISE SPECIFIED DIMENSIONS ARE IN MILLIMETERS	CAD GENERATED DRAWING. DO NOT MANUALLY UPDATE		 1310 Thurman Street Lodi CA, 95240 Ph: (209) 333-2120 Fx: (209) 333-8623 info@scientificspecialties.com
	APPROVALS	DATE	
SSi MATERIAL:	DRAWN: P. DO	7/21/2016	2620-XX 2.0mL SCREW CAP TUBE-SKIRTED RIBBED
MANUFACTURER'S MATERIAL:	CHECKED:		
FINISH:	DESIGN ENG:		SIZE: A
DO NOT SCALE DRAWING	MFG ENG:		SHRINK RATE:
	QUAL ENG:		SCALE: 1:1
			JOB NO.:
			REV.: 2
			SHEET: 1 OF 1

7/26/2018

PRINTED