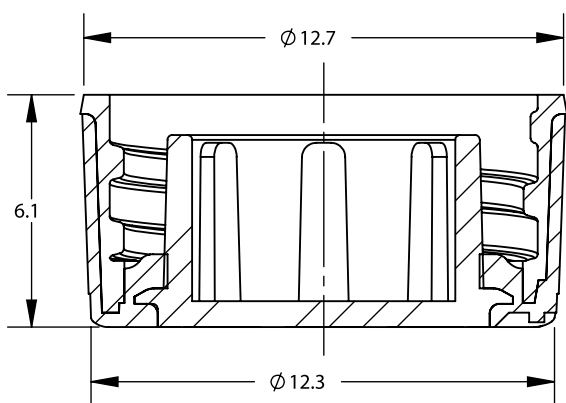
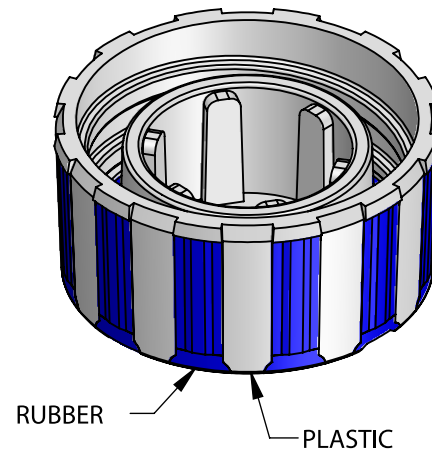
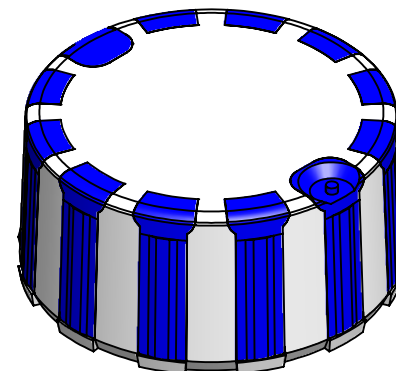



SECTION A-A
SCALE: 5:1



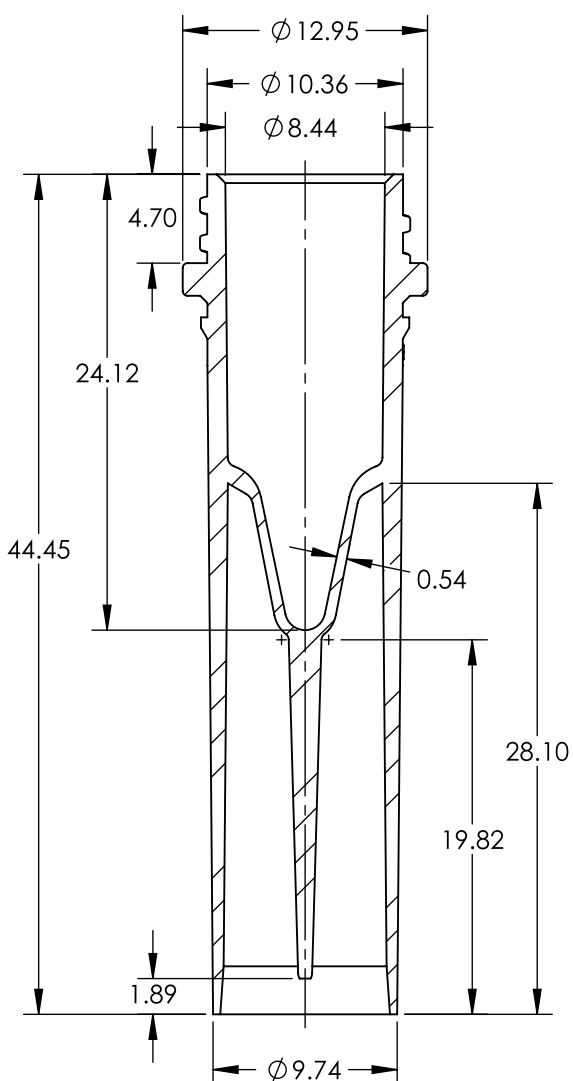
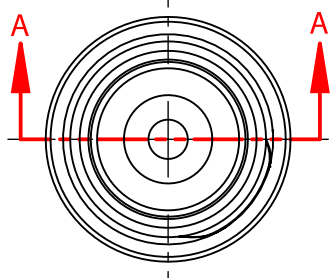
SECTION B-B
SCALE: 5:1



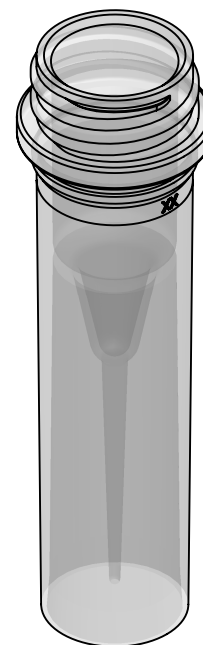
UNLESS OTHERWISE SPECIFIED DIMENSIONS ARE IN MILLIMETERS	CAD GENERATED DRAWING, DO NOT MANUALLY UPDATE		 1310 Thurman Street Lodi CA, 95240 Ph: (209) 333-2120 Fx: (209) 333-8623 info@scientificspecialties.com
	APPROVALS	DATE	
SSI MATERIAL:	DRAWN: P. DO	3/21/2018	2005-XX GIIPSEAL SCREW CAP
MANUFACTURER'S MATERIAL:	CHECKED:		
FINISH:	DESIGN ENG:		SIZE: A
DO NOT SCALE DRAWING	MFG ENG:		SHRINK RATE:
	QUAL ENG:		SCALE: 1:1
			JOB NO.:
			REV.: REL
			SHEET: 1 OF 1


PRINTED: 3/21/2018

NOTE(S): UNLESS OTHERWISE SPECIFIED:
1. THIS COVERS PARTS MADE WITH LOT # 15144 WHICH IS A DATE OF 4/6/2015 OR NEWER.



SECTION A-A
SCALE: 2.5:1



UNLESS OTHERWISE SPECIFIED DIMENSIONS ARE IN MILLIMETERS TOLERANCES ARE: DECIMALS ANGLES	CAD GENERATED DRAWING, DO NOT MANUALLY UPDATE		 1310 Thurman Street Lodi CA, 95240 Ph: (209) 333-2120 Fx: (209) 333-8623 info@scientificspecialties.com
	APPROVALS	DATE	
SSI MATERIAL:	DRAWN: P. DO	9/18/2015	2440-00 0.5mL SCREW CAP TUBE
MANUFACTURER'S MATERIAL:	CHECKED:		
FINISH:	RESP ENG:		SIZE: A
DO NOT SCALE DRAWING	MFG ENG:		SHRINK RATE:
	QUAL ENG:		SCALE: 1:1
			JOB NO.:
			REV.: 4
			SHEET: 1 OF 1

PRINTED: 9/18/2015