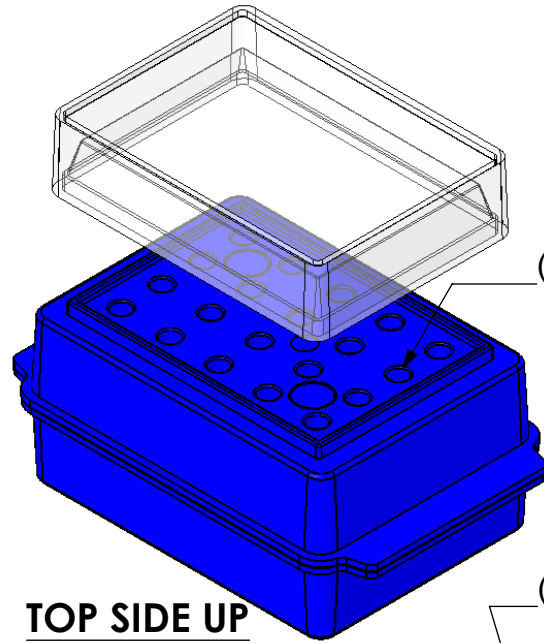
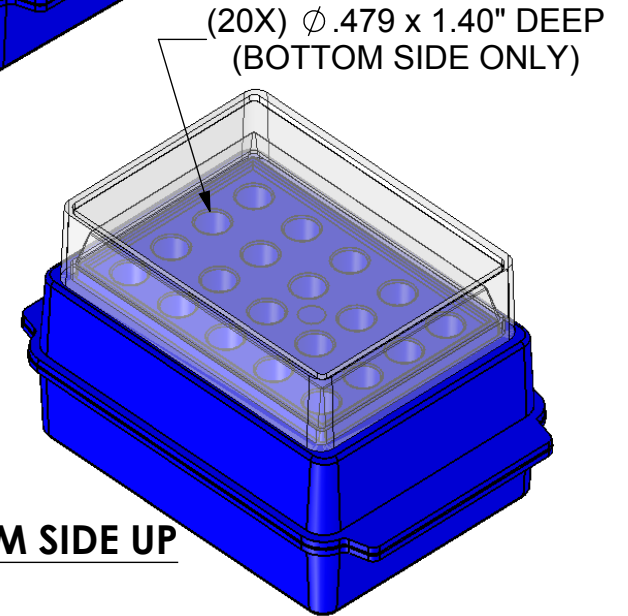
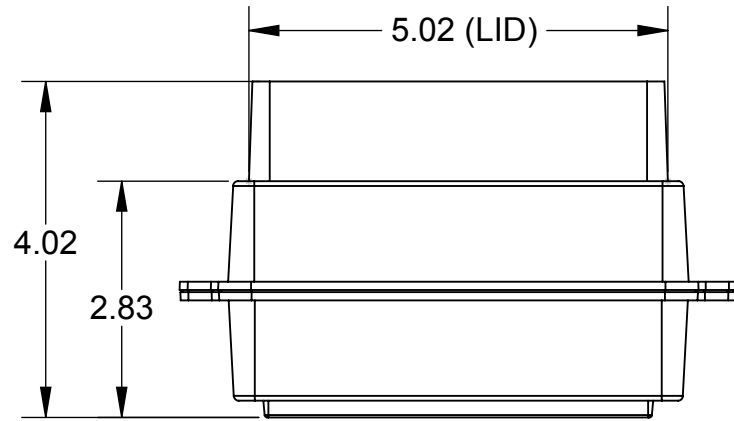


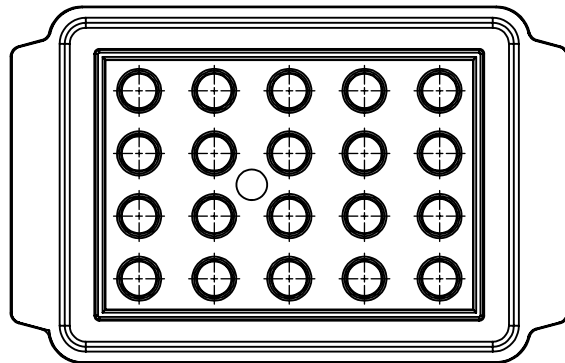
TOP VIEW
LID SHOWN



TOP SIDE UP



BOTTOM SIDE UP



BOTTOM VIEW
LID NOT SHOWN

UNLESS OTHERWISE SPECIFIED
DIMENSIONS ARE IN INCHES
TOLERANCES ARE:

FRACTIONS	DECIMALS	ANGLES
±1/64	.XX ± .01	± 0.1
	.XXX ± .001	
	.XXXX ± .0005	

SSI MATERIAL:

MANUFACTURERS MATERIAL:

FINISH

DO NOT SCALE DRAWING

CAD GENERATED DRAWING.
DO NOT MANUALLY UPDATE

APPROVALS	DATE
DRAWN S.Gallagher	3DEC13
CHECKED	
RESP ENG	
MFG ENG	
QUAL ENG	



1310 Thurman Street
Lodi CA, 95240
Ph: (209) 333-2120
F: (209) 333-8623
info@scientificspecialties.com

5610
ISOFREEZE FLIPPER RACK

SIZE	SHRINK RATE	REV.
A		
SCALE 1:2	JOB NO.	SHEET 1 OF 1

PRINTED 12/3/2013