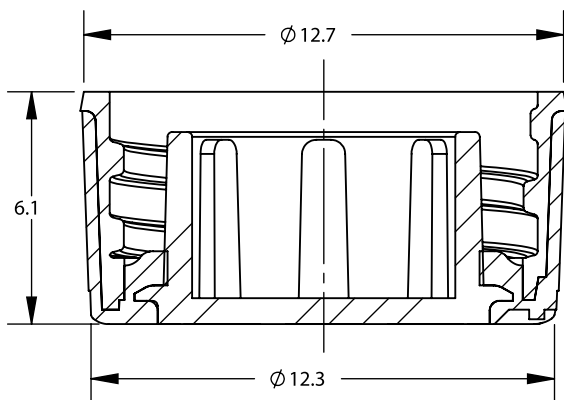
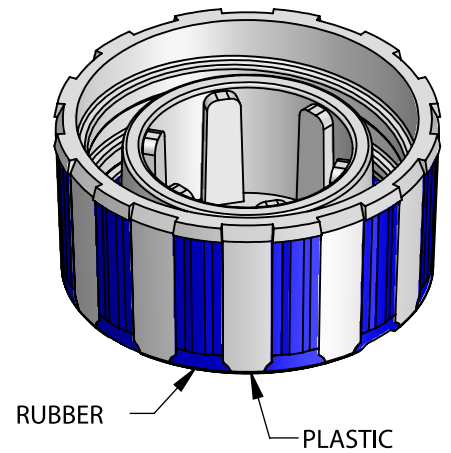
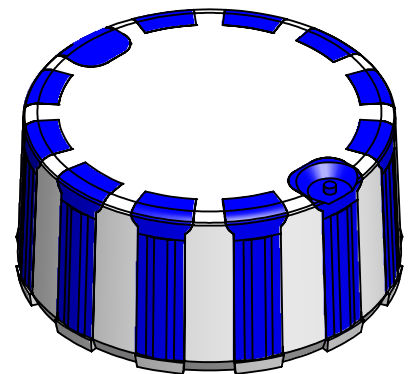



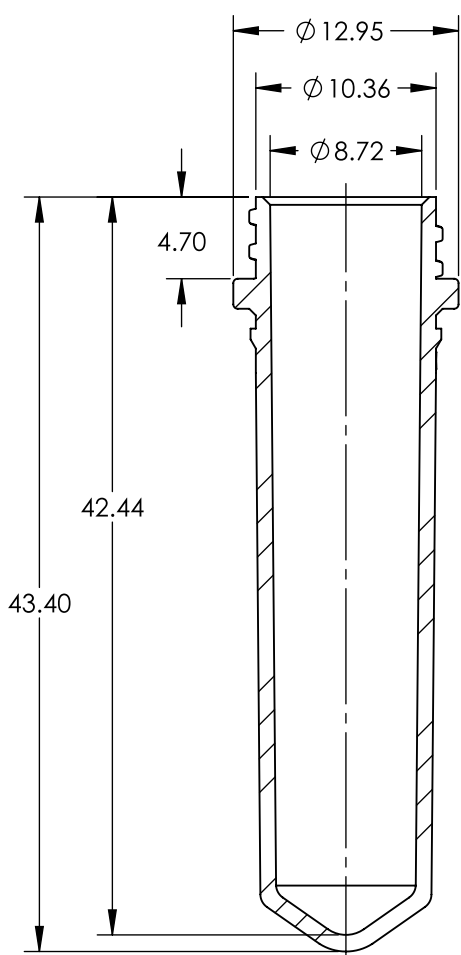
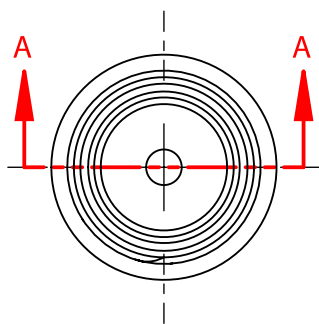
SECTION A-A  
SCALE: 5:1



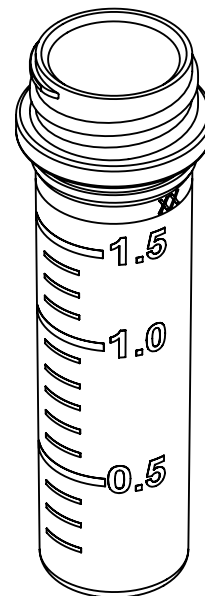
SECTION B-B  
SCALE: 5:1




UNLESS OTHERWISE SPECIFIED DIMENSIONS ARE IN MILLIMETERS	CAD GENERATED DRAWING, DO NOT MANUALLY UPDATE		 <b>2005-XX</b> <i>GIIPSEAL SCREW CAP</i>	1310 Thurman Street Lodi CA, 95240 Ph: (209) 333-2120 Fx: (209) 333-8623 info@scientificspecialties.com	
	APPROVALS	DATE			
SSI MATERIAL:	DRAWN: P. DO	3/21/2018	SIZE: A	SHRINK RATE:	REV.: REL
MANUFACTURER'S MATERIAL:	CHECKED:		SCALE: 1:1	JOB NO.:	SHEET: 1 OF 1
FINISH:	DESIGN ENG:				
DO NOT SCALE DRAWING	MFG ENG:				
	QUAL ENG:				



SECTION A-A  
SCALE: 2.3:1



UNLESS OTHERWISE SPECIFIED DIMENSIONS ARE IN MILLIMETERS	CAD GENERATED DRAWING, DO NOT MANUALLY UPDATE		 <b>2630-00 (METRIC)</b> 2.0mL SCREW CAP TUBE - CONICAL GRADUATED	1310 Thurman Street Lodi CA, 95240 Ph: (209) 333-2120 Fx: (209) 333-8623 info@scientificspecialties.com	
	APPROVALS	DATE			
SSI MATERIAL:	DRAWN: P. DO	3/18/2015	SIZE: A	SHRINK RATE:	REV.: 2
MANUFACTURER'S MATERIAL:	CHECKED:		SCALE: 1:1	JOB NO.:	SHEET: 1 OF 1
FINISH:	RESP ENG:				
DO NOT SCALE DRAWING	MFG ENG:				
	QUAL ENG:				