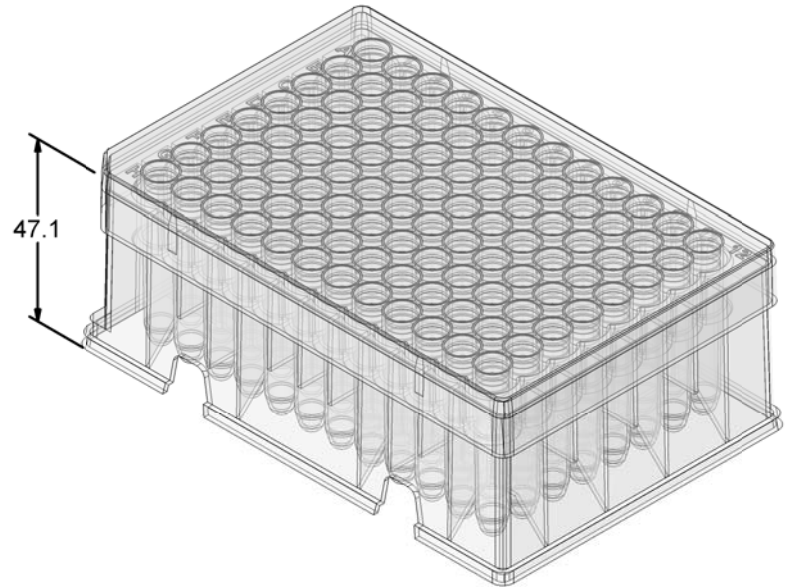
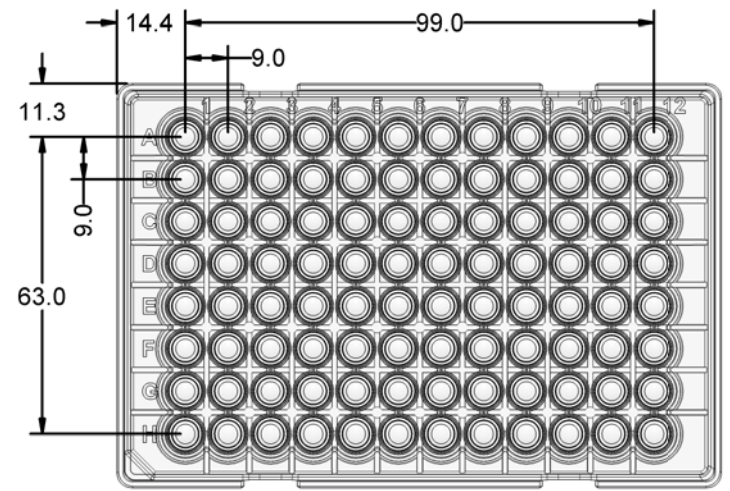
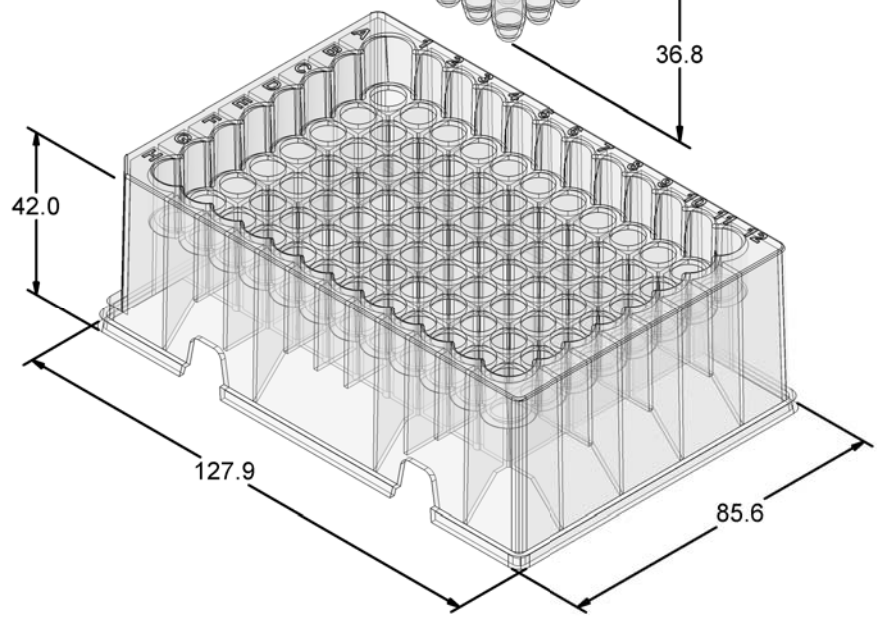
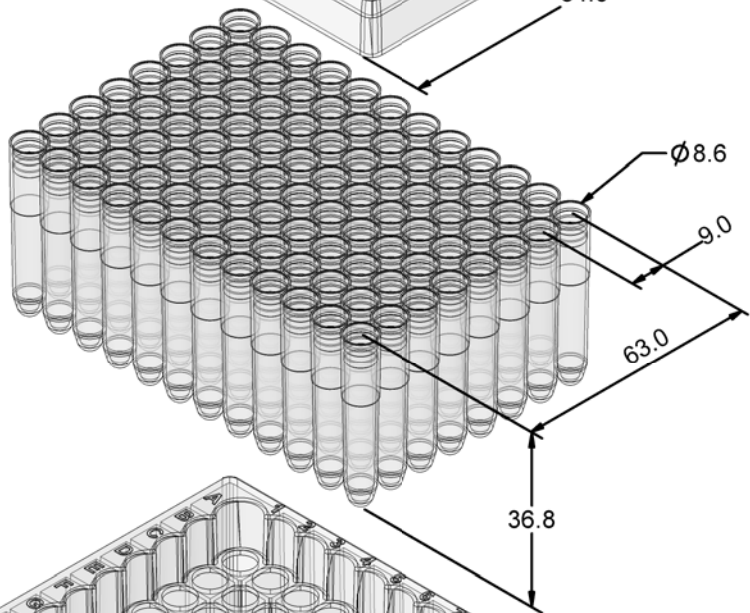
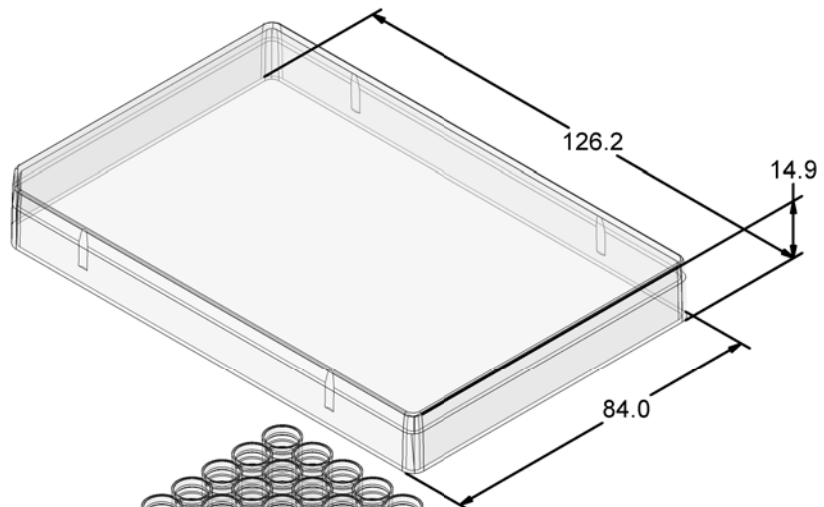



**Copyright Scientific Specialties, Inc.**  
 This drawing and/or any technical information relating to it is issued in strict confidence and may not be reproduced or used for manufacture without written permission. Upon receipt of which it is the users responsibility to seek confirmation of any dimensions and production tolerances.



 1310 Thurman Street Leola, CA 95240 Ph: (209) 333-2120 Fx: (209) 333-8623 info@scientificspecialties.com	<b>TITLE:</b> 1.2mL 8-STRIP RACKED DILUTION TUBES		
	<b>ITEM:</b> 713B-00	<b>REV.:</b> REL	<b>DATE:</b> 7/24/2019
UNLESS OTHERWISE SPECIFIED DIMENSIONS ARE IN MILLIMETERS			