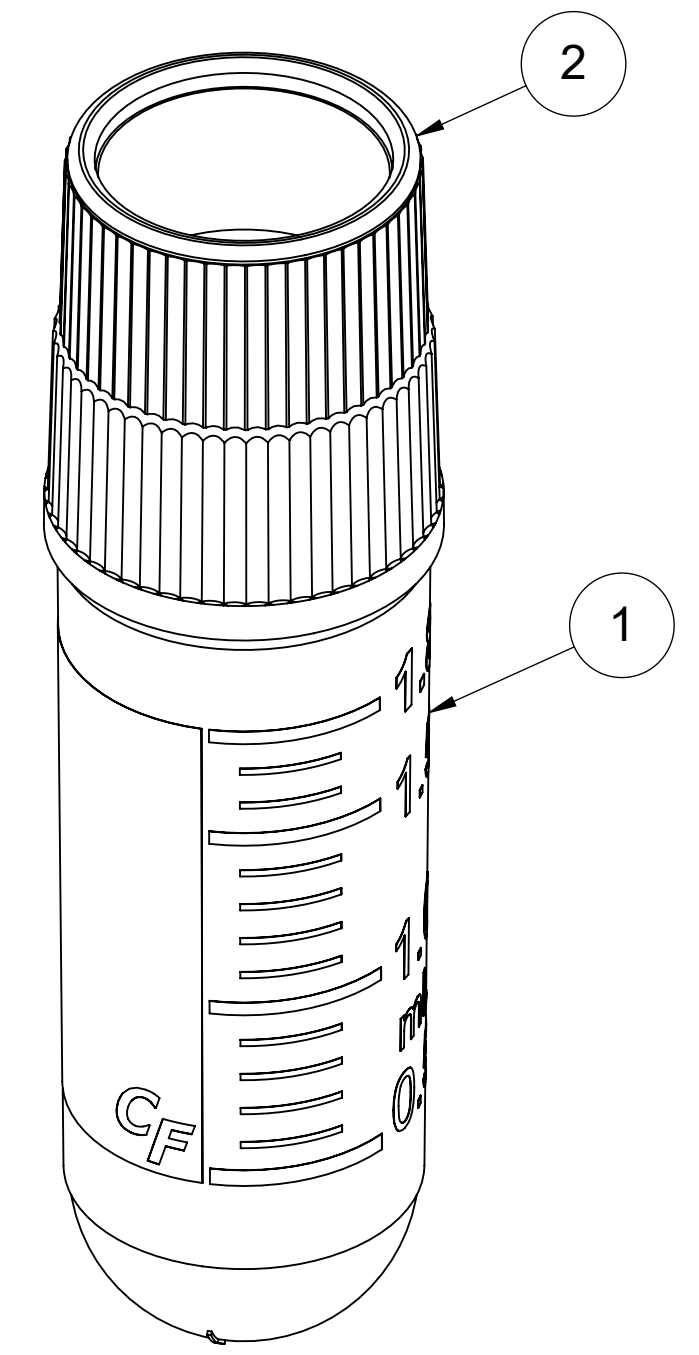
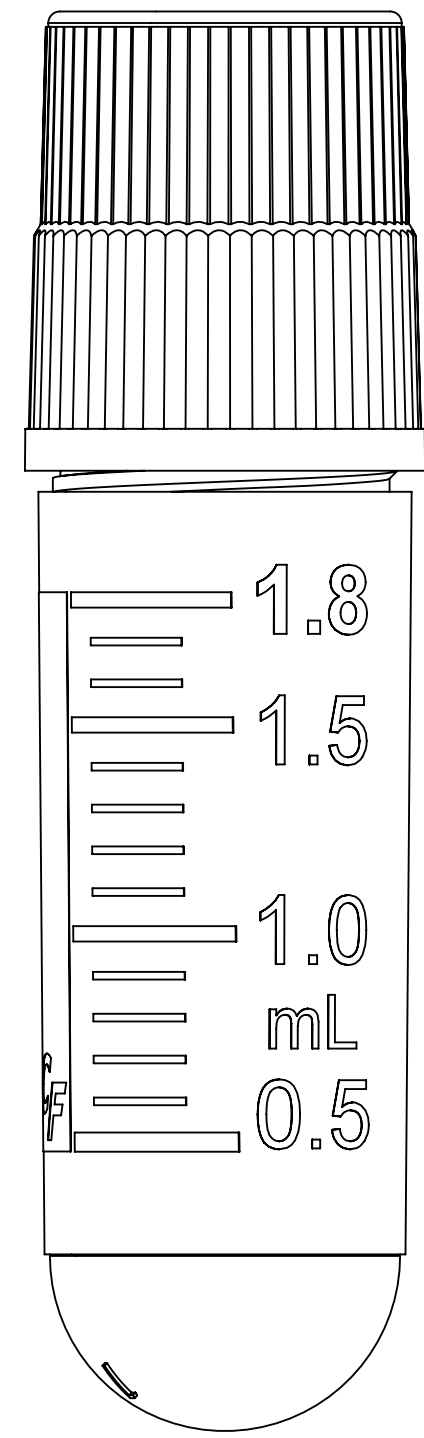
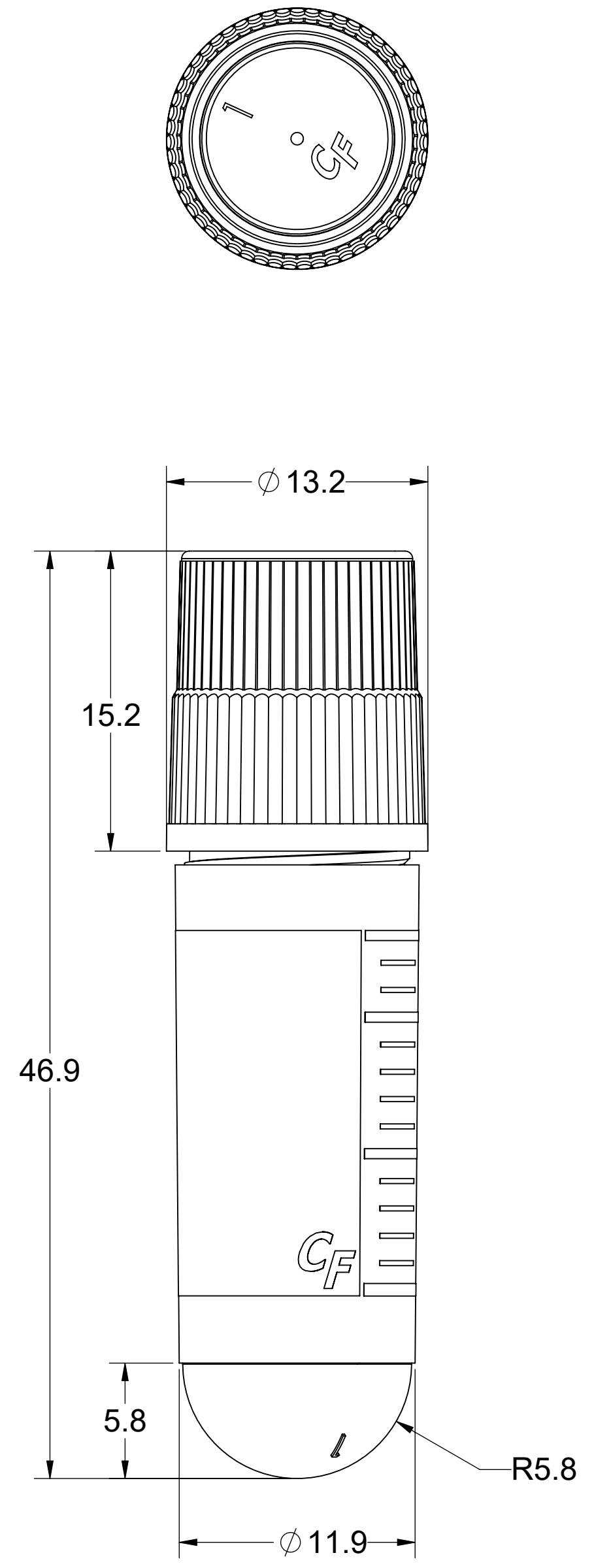



**Copyright Scientific Specialties, Inc.**  
 This drawing and/or any technical information relating to it is issued in strict confidence and may not be reproduced or used for manufacture without written permission. Upon receipt of which it is the user's responsibility to seek confirmation of any dimensions and production tolerances.



BOM Table		
ITEM NO.	PART NUMBER	QTY.
1	6221-XX	1
2	6222-XX	1

 1310 Thurman Street Lodi CA, 95240 Ph: (209) 333-2120 Fx: (209) 333-8623 info@scientificspecialties.com	<b>TITLE:</b> <i>1.8mL EXTERNAL THREADED CRYOVIAL ASSEMBLY</i>		
	UNLESS OTHERWISE SPECIFIED DIMENSIONS ARE IN MILLIMETERS	<b>ITEM:</b> <i>6221-S0</i>	<b>REV.:</b> <i>REL</i>