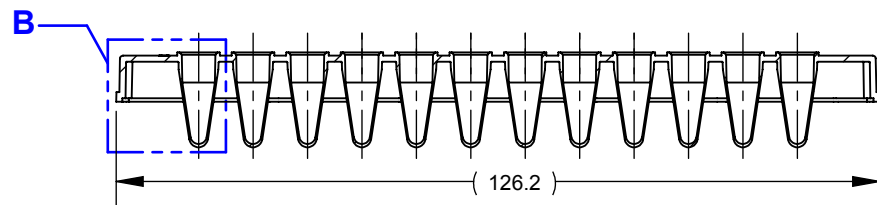
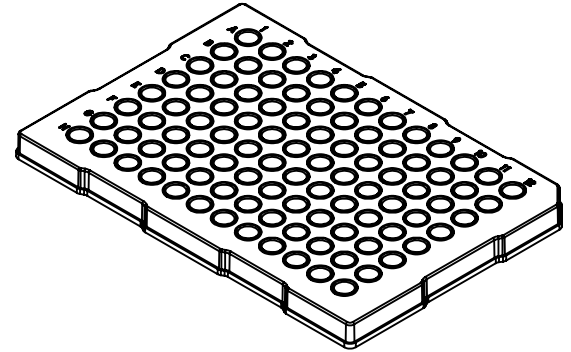
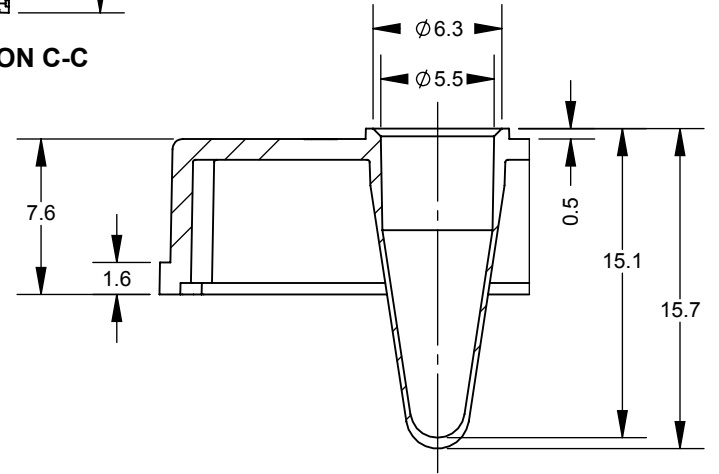


SECTION C-C



SECTION A-A




DETAIL B

UNLESS OTHERWISE SPECIFIED
DIMENSIONS ARE IN MILLIMETERS

SSI MATERIAL:
MANUFACTURER'S MATERIAL:
FINISH:
DO NOT SCALE DRAWING

CAD GENERATED DRAWING,
DO NOT MANUALLY UPDATE

APPROVALS	DATE
DRAWN: P. DO	8/22/2016
CHECKED:	
DESIGN ENG:	
MFG ENG:	
QUAL ENG:	



1310 Thurman Street
Lodi CA, 95240
Ph: (209) 333-2120
F: (209) 333-8623
info@scientificspecialties.com

3421-XX
"SEMI SKIRT" LOW PROFILE 96 WELL

SIZE: A	SHRINK RATE:	REV.: 1
SCALE: 1:1	JOB NO.:	SHEET: 1 OF 1

PRINTED 8/22/2016