
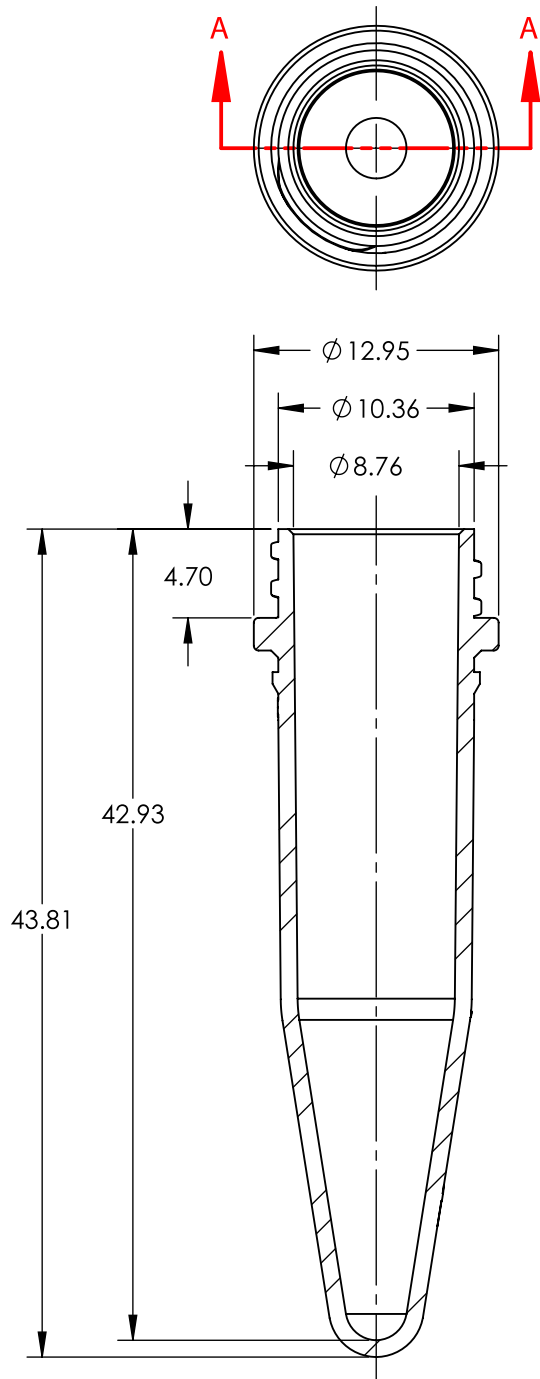



UNLESS OTHERWISE SPECIFIED DIMENSIONS ARE IN MILLIMETERS	CAD GENERATED DRAWING. DO NOT MANUALLY UPDATE		 <b>1310 Thurman Street</b> <b>Lodi CA, 95240</b> <b>Ph: (209) 333-2120</b> <b>Fx: (209) 333-8623</b> <b>info@scientificspecialties.com</b>
	APPROVALS	DATE	
SSI MATERIAL:	DRAWN: P. DO	3/21/2018	<b>2002-XX</b> <b>SCREW TUBE TETHERED CAP</b>
MANUFACTURER'S MATERIAL:	CHECKED:		
FINISH:	DESIGN ENG:		
DO NOT SCALE DRAWING	MFG ENG:		
	QUAL ENG:		SIZE: A SHRINK RATE: --- SCALE: 1:1 JOB NO.: SHEET: 1 OF 1
			REV.: 5 PRINTED: 3/21/2018



UNLESS OTHERWISE SPECIFIED DIMENSIONS ARE IN MILLIMETERS	CAD GENERATED DRAWING. DO NOT MANUALLY UPDATE		 <b>1310 Thurman Street</b> <b>Lodi CA, 95240</b> <b>Ph: (209) 333-2120</b> <b>Fx: (209) 333-8623</b> <b>info@scientificspecialties.com</b>
	APPROVALS	DATE	
SSI MATERIAL:	DRAWN: P. DO	3/18/2015	<b>2530-00 (METRIC)</b> <b>1.5mL SCREW CAP TUBE - GRADUATED</b>
MANUFACTURER'S MATERIAL:	CHECKED:		
FINISH:	RESP ENG:		
DO NOT SCALE DRAWING	MFG ENG:		
	QUAL ENG:		SIZE: A SHRINK RATE: --- SCALE: 1:1 JOB NO.: SHEET: 1 OF 1
			REV.: REL PRINTED: 3/19/2015