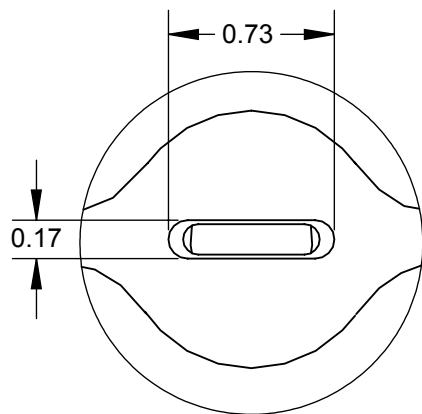



**SECTION A-A
SCALE: 3.3 : 1**



**DETAIL B
SCALE: 30 : 1**

UNLESS OTHERWISE SPECIFIED DIMENSIONS ARE IN MILLIMETERS	CAD GENERATED DRAWING, DO NOT MANUALLY UPDATE		 1310 Thurman Street Lodi CA, 95240 Ph: (209) 333-2120 Fx: (209) 333-8623 info@scientificspecialties.com
	APPROVALS	DATE	
SSI MATERIAL:	DRAWN: P. DO	3/18/2006	4817-0B-XX <i>10uL GEL TIP-SHORT (FLATTENED)</i>
MANUFACTURER'S MATERIAL:	CHECKED:		
FINISH:	RESP ENG:		
DO NOT SCALE DRAWING	MFG ENG:		SIZE: A SHRINK RATE: SCALE: 2:1 JOB NO.: SHEET: 1 OF 1
	QUAL ENG:		REV.: REL