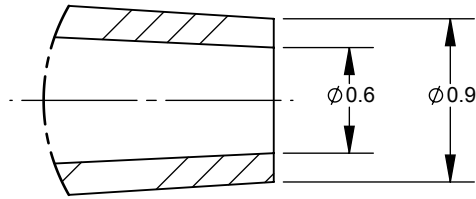
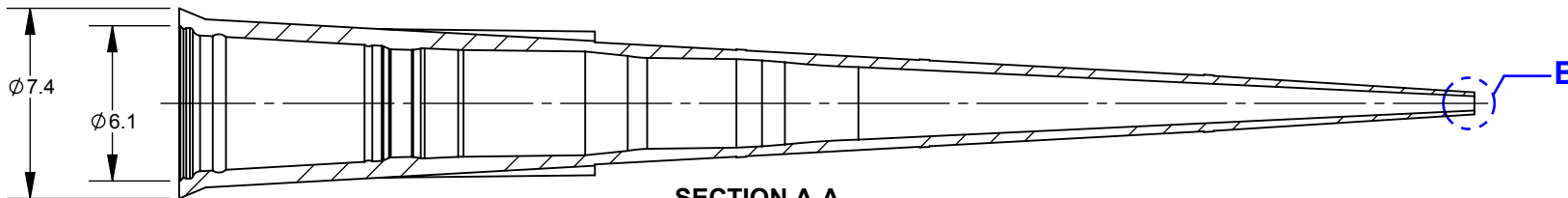
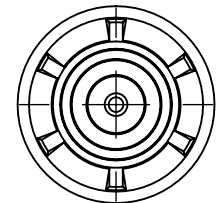
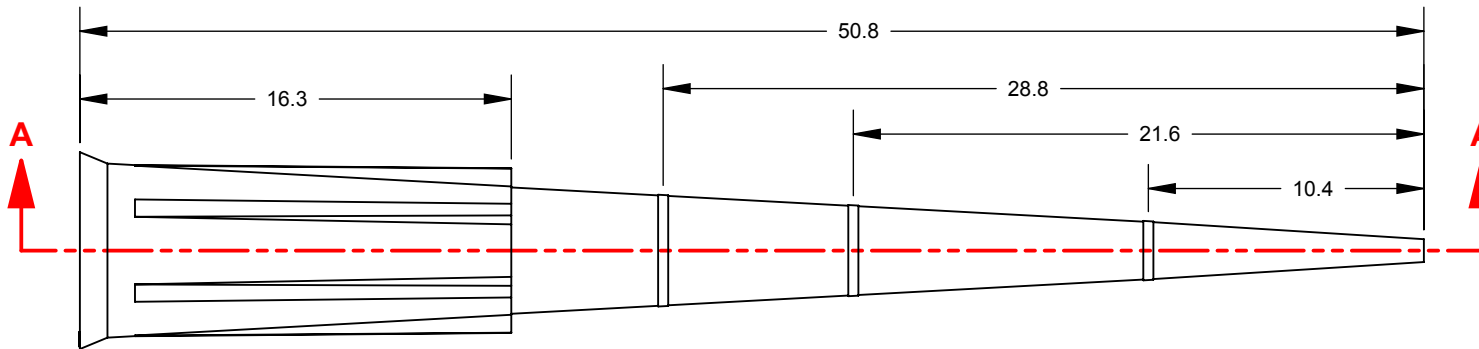
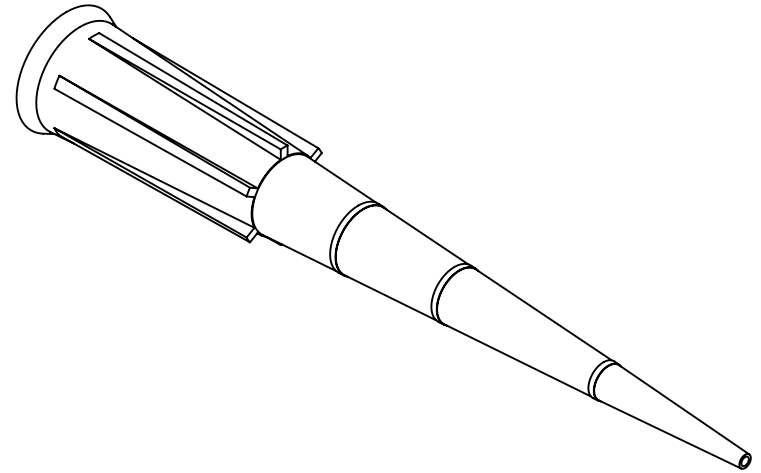


NOTE: UNLESS OTHERWISE SPECIFIED.


1. 423-HPT12 IS MOLD ID 7



**DETAIL B**  
SCALE: 25 : 1



**SECTION A-A**  
SCALE: 3.5 : 1

UNLESS OTHERWISE SPECIFIED DIMENSIONS ARE IN MILLIMETERS	CAD GENERATED DRAWING, DO NOT MANUALLY UPDATE		 <b>1310 Thurman Street</b> <b>Lodi CA, 95240</b> <b>Ph: (209) 333-2120</b> <b>Fx: (209) 333-8623</b> <b>info@scientificspecialties.com</b>
	APPROVALS	DATE	
	DRAWN: P. DO	4/26/2017	<b>4230-XX</b> <b>200uL REFERENCE TIP</b> <b>TOOLING MOLD# HPT12</b>
SSI MATERIAL:	CHECKED:		
MANUFACTURER'S MATERIAL:	DESIGN ENG:		
FINISH:	MFG ENG:		
DO NOT SCALE DRAWING	QUAL ENG:		SIZE: <b>A</b> SHRINK RATE: SCALE: 1:1 JOB NO.: SHEET: 1 OF 1

PRINTED 10/31/2018