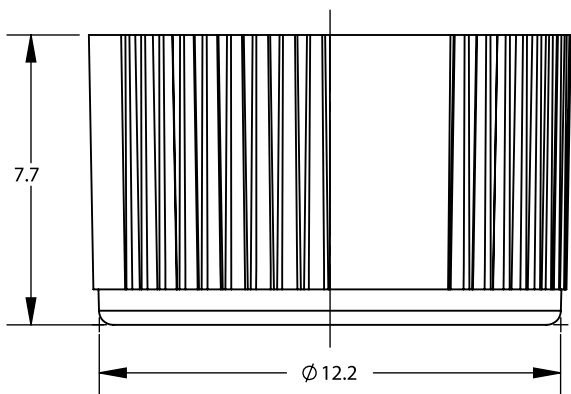
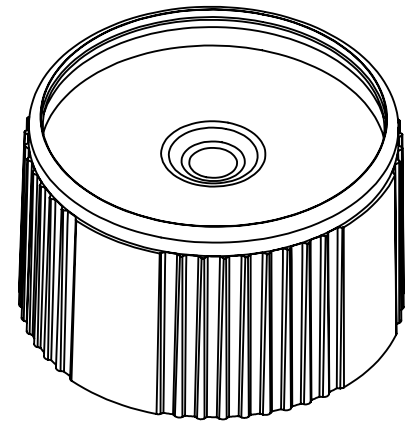
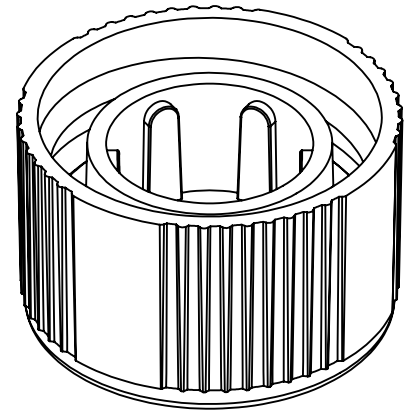

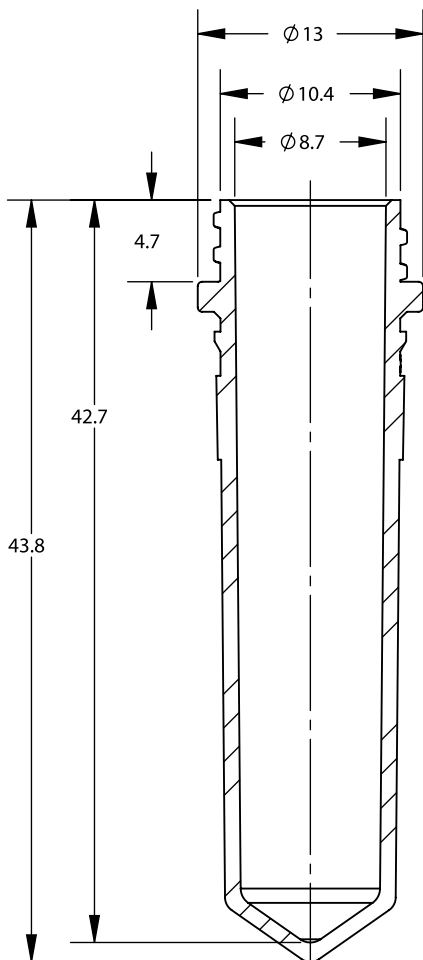
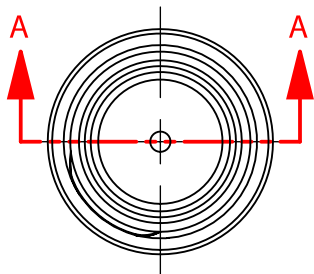


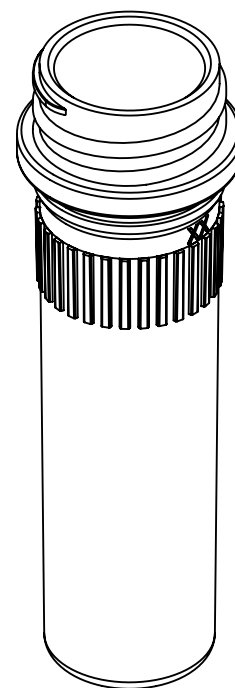
SECTION A-A
SCALE: 5 : 1




UNLESS OTHERWISE SPECIFIED DIMENSIONS ARE IN MILLIMETERS	CAD GENERATED DRAWING. DO NOT MANUALLY UPDATE		 1310 Thurman Street Lodi CA, 95240 Ph: (209) 333-2120 Fx: (209) 333-8623 info@scientificspecialties.com
	APPROVALS	DATE	
	DRAWN: P. DO	3/21/2018	2003-XX INSERTABLE SCREW CAP
SSI MATERIAL:	CHECKED:		
MANUFACTURER'S MATERIAL:	DESIGN ENG:		SIZE: A SHRINK RATE: SCALE: 1:1
FINISH:	MFG ENG:		REV.: 3 SHEET: 1 OF 1
DO NOT SCALE DRAWING	QUAL ENG:		JOB NO.: PRINTED 3/21/2018



SECTION A-A
SCALE: 2.3 : 1



UNLESS OTHERWISE SPECIFIED DIMENSIONS ARE IN MILLIMETERS	CAD GENERATED DRAWING. DO NOT MANUALLY UPDATE		 1310 Thurman Street Lodi CA, 95240 Ph: (209) 333-2120 Fx: (209) 333-8623 info@scientificspecialties.com
	APPROVALS	DATE	
	DRAWN: P. DO	7/21/2016	2610-XX 2.0mL SCREW CAP TUBE-CONICAL RIBBED
SSI MATERIAL:	CHECKED:		
MANUFACTURER'S MATERIAL:	DESIGN ENG:		SIZE: A SHRINK RATE: SCALE: 1:1
FINISH:	MFG ENG:		REV.: 1 SHEET: 1 OF 1
DO NOT SCALE DRAWING	QUAL ENG:		JOB NO.: PRINTED 7/21/2016