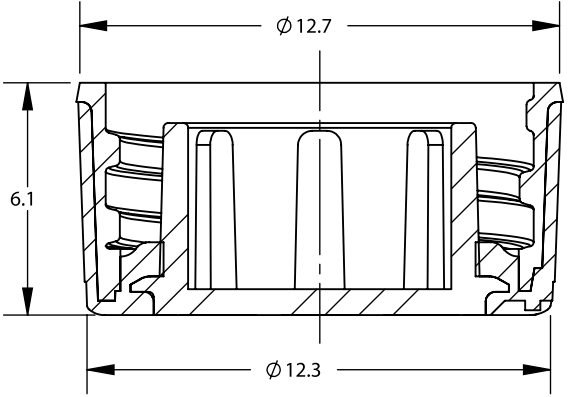
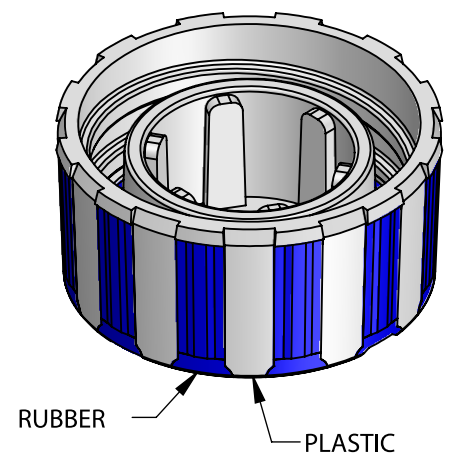
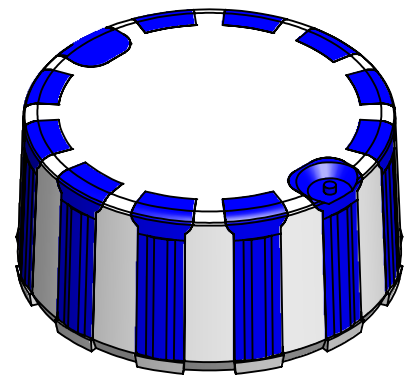



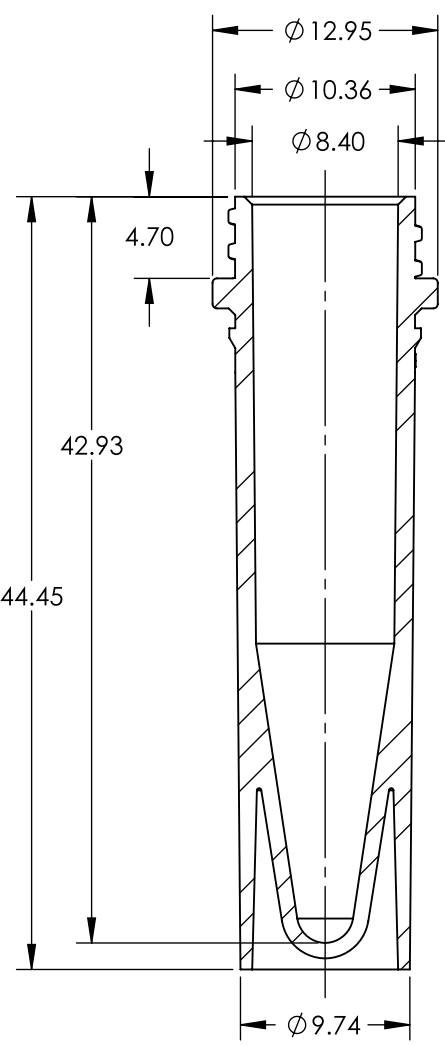
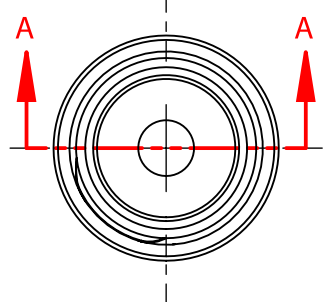
SECTION A-A
SCALE: 5:1



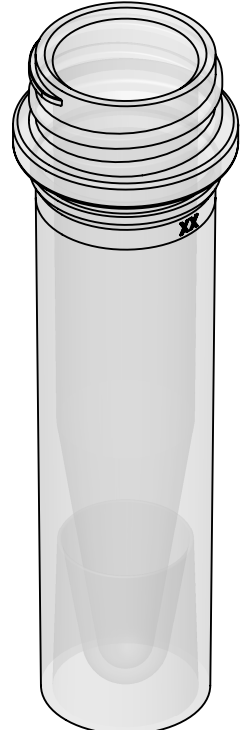
SECTION B-B
SCALE: 5:1




UNLESS OTHERWISE SPECIFIED DIMENSIONS ARE IN MILLIMETERS	CAD GENERATED DRAWING, DO NOT MANUALLY UPDATE		 1310 Thurman Street Lodi CA, 95240 Ph: (209) 333-2120 Fx: (209) 333-8623 info@scientificspecialties.com	
	APPROVALS	DATE		
SSI MATERIAL:	CHECKED:	DRAWN: P. DO	3/21/2018	
MANUFACTURER'S MATERIAL:	DESIGN ENG:	2005-XX <i>GIIPSEAL SCREW CAP</i>		
FINISH:	MFG ENG:			
DO NOT SCALE DRAWING	QUAL ENG:	SIZE: A	SHRINK RATE:	REV.: REL
		SCALE: 1:1	JOB NO.:	SHEET: 1 OF 1



SECTION A-A
SCALE: 2.3:1



UNLESS OTHERWISE SPECIFIED DIMENSIONS ARE IN MILLIMETERS TOLERANCES ARE: DECIMALS ANGLES	CAD GENERATED DRAWING, DO NOT MANUALLY UPDATE		 1310 Thurman Street Lodi CA, 95240 Ph: (209) 333-2120 Fx: (209) 333-8623 info@scientificspecialties.com	
	APPROVALS	DATE		
SSI MATERIAL:	CHECKED:	DRAWN: P. DO	9/18/2015	
MANUFACTURER'S MATERIAL:	RESP ENG:	2540-00 1.5mL SCREW CAP TUBE - SKIRTED		
FINISH:	MFG ENG:			
DO NOT SCALE DRAWING	QUAL ENG:	SIZE: A	SHRINK RATE: ----	REV.: 1
		SCALE: 1:1	JOB NO.:	SHEET: 1 OF 1

PRINTED: 3/21/2018

PRINTED: 9/18/2015