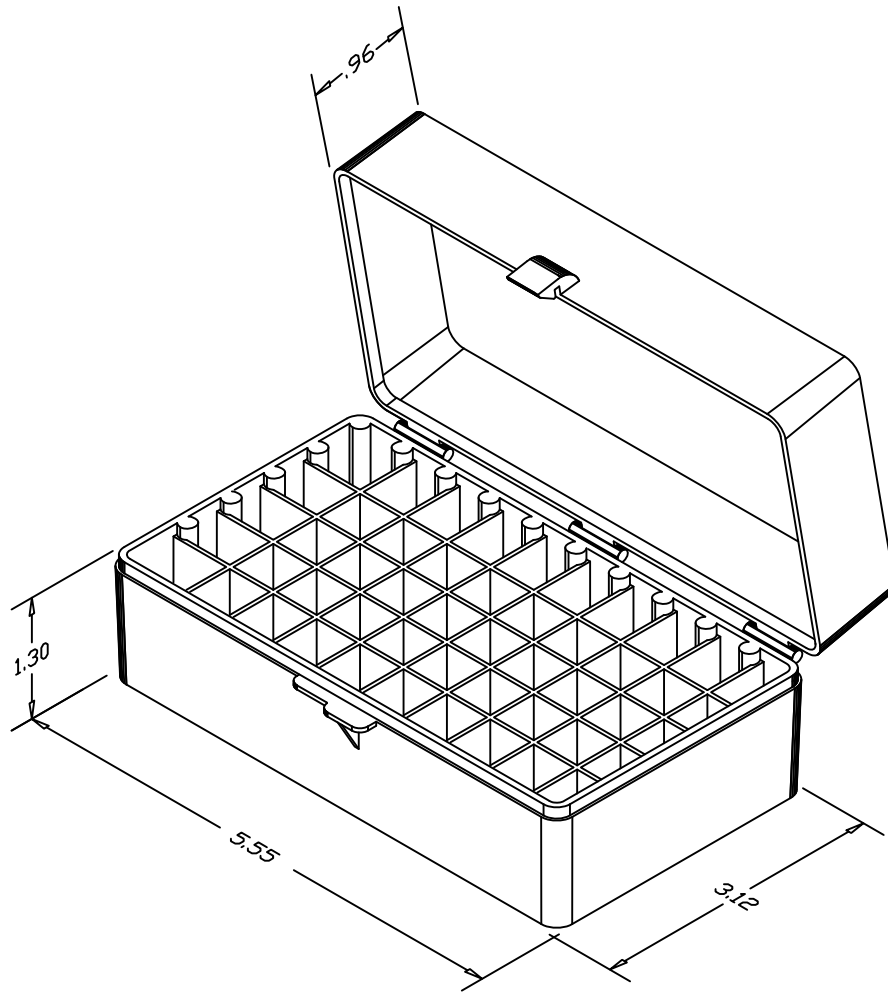


REV.	DESCRIPTION	DATE	DRAWN BY	APPROVED
------	-------------	------	----------	----------



UNLESS OTHERWISE SPECIFIED
 DIMENSIONS ARE IN INCHES
 TOLERANCES ARE:
 FRACTIONS DECIMALS ANGLES
 ±1/64 .XX ± .01 ± 0.1
 .XXX ± .001
 .XXXX ± .0005

CAD GENERATED DRAWING,
 DO NOT MANUALLY UPDATE

 1310 Thurman Street
 Lodi CA, 95240
 Ph: (209) 333-2120
 Fx: (209) 333-8623
 info@scientificspecialties.com

APPROVALS	DATE
DRAWN JWALLS	9-17-09
CHECKED	
RESP ENG	
MFG ENG	
QUAL ENG	

MATERIAL
FINISH
DO NOT SCALE DRAWING

5510		REV.
SIZE A	SHRINK RATE	
SCALE	JOB NO.	SHEET 1 OF 1