

NOTE: LID NOT SHOWN FOR CLARITY

UNLESS OTHERWISE SPECIFIED
DIMENSIONS ARE IN INCHES
TOLERANCES ARE:

FRACTIONS	DECIMALS	ANGLES
±1/64	.XX ± .01	± 0.1
	.XXX ± .001	
	.XXXX ± .0005	

MATERIAL

FINISH

DO NOT SCALE DRAWING

CAD GENERATED DRAWING,
DO NOT MANUALLY UPDATE

APPROVALS	DATE
DRAWN S. KRAMER	8/16/2005
CHECKED	

RESP ENG

MFG ENG

QUAL ENG



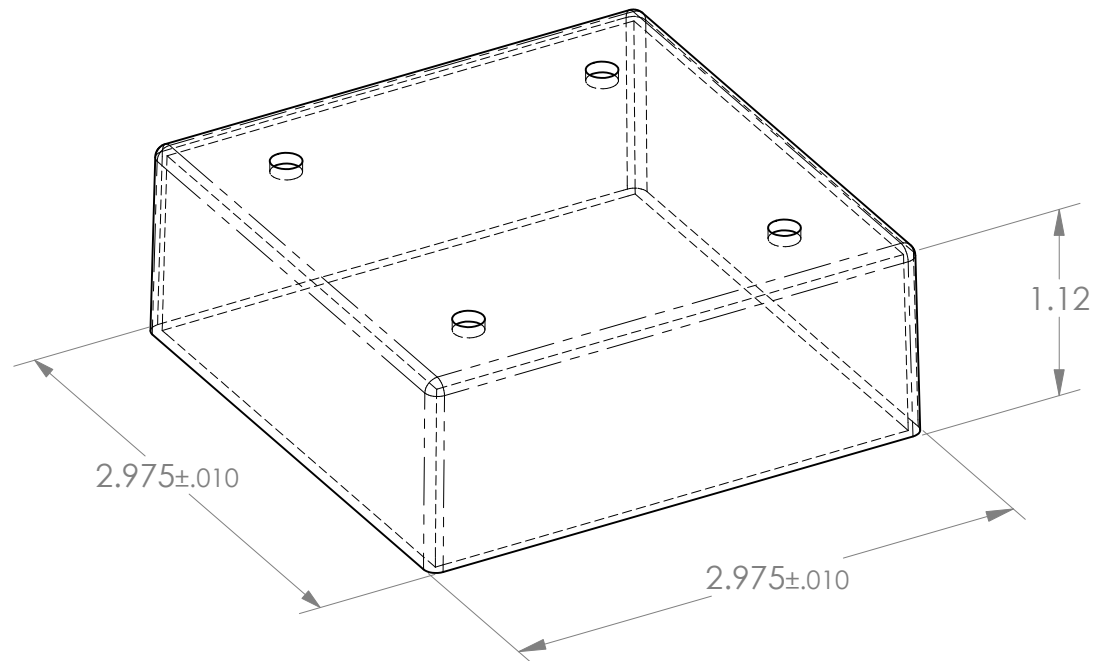
1310 Thurman Street
Lodi CA, 95240
Ph: (209) 333-2120
Fx: (209) 333-8623
info@scientificspecialties.com

5700-XX
CRYOFREEZE® RACK
25 PLACE, STANDARD

SIZE	SHRINK RATE	REV.
A		--

SCALE 1:1 JOB NO. SHEET 1 OF 2

PRINTED 8/18/2005



UNLESS OTHERWISE SPECIFIED
DIMENSIONS ARE IN INCHES
TOLERANCES ARE:

FRACTIONS	DECIMALS	ANGLES
±1/64	.XX ± .01	± 0.1
	.XXX ± .001	
	.XXXX ± .0005	

MATERIAL

FINISH

DO NOT SCALE DRAWING

CAD GENERATED DRAWING,
DO NOT MANUALLY UPDATE

APPROVALS	DATE
DRAWN S. KRAMER	8/16/2005
CHECKED	
RESP ENG	
MFG ENG	
QUAL ENG	



1310 Thurman Street
Lodi CA, 95240
Ph: (209) 333-2120
Fx: (209) 333-8623
info@scientificspecialties.com

Scientific Specialties Inc.

5700-XX
LID, CRYOFREEZE® RACK,
25 PLACE

SIZE	SHRINK RATE	REV.
A		--
SCALE 1:1	JOB NO.	SHEET 2 OF 2

PRINTED 8/18/2005